

NAME \_\_\_\_\_  
 DATE \_\_\_\_\_  
 TRACK \_\_\_\_\_

### TRACK CONDITION

<b>SURFACE</b>	<input type="radio"/> SMOOTH	<input type="radio"/> MEDIUM	<input type="radio"/> BUMPY
<b>SIZE</b>	<input type="radio"/> TIGHT	<input type="radio"/> MEDIUM	<input type="radio"/> FAST
<b>TRACTION</b>	<input type="radio"/> LOW	<input type="radio"/> MEDIUM	<input type="radio"/> HIGH

### CLUTCH SETTINGS

<b>SHOE</b>	STANDARD
<b>CENTRIFUGAL SHOE</b>	STANDARD
<b>SPRING</b>	STANDARD

### ENGINE

<b>ENGINE</b>	
<b>MUFFLER</b>	
<b>MANIFOLD</b>	
<b>PLUG</b>	

### DRIVE RATIO

<b>PINION</b>	
<b>SPUR</b>	

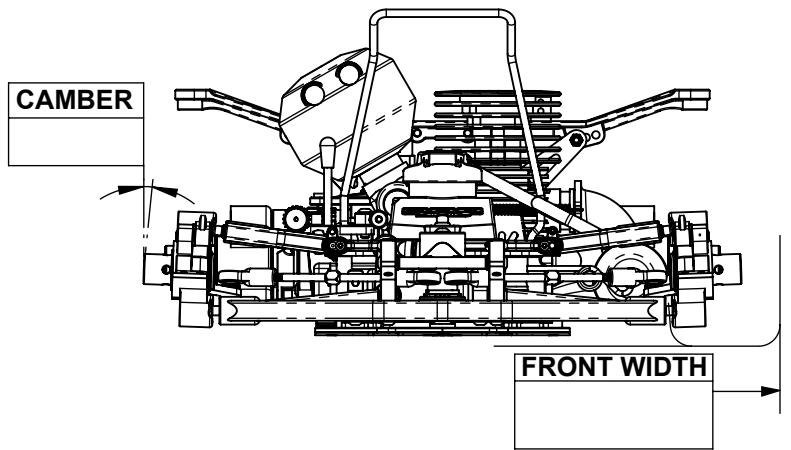
### TYRES

	FRONT	REAR
<b>SHORE</b>		
<b>DIAMETER</b> start mm.		
<b>DIAMETER</b> start mm.		

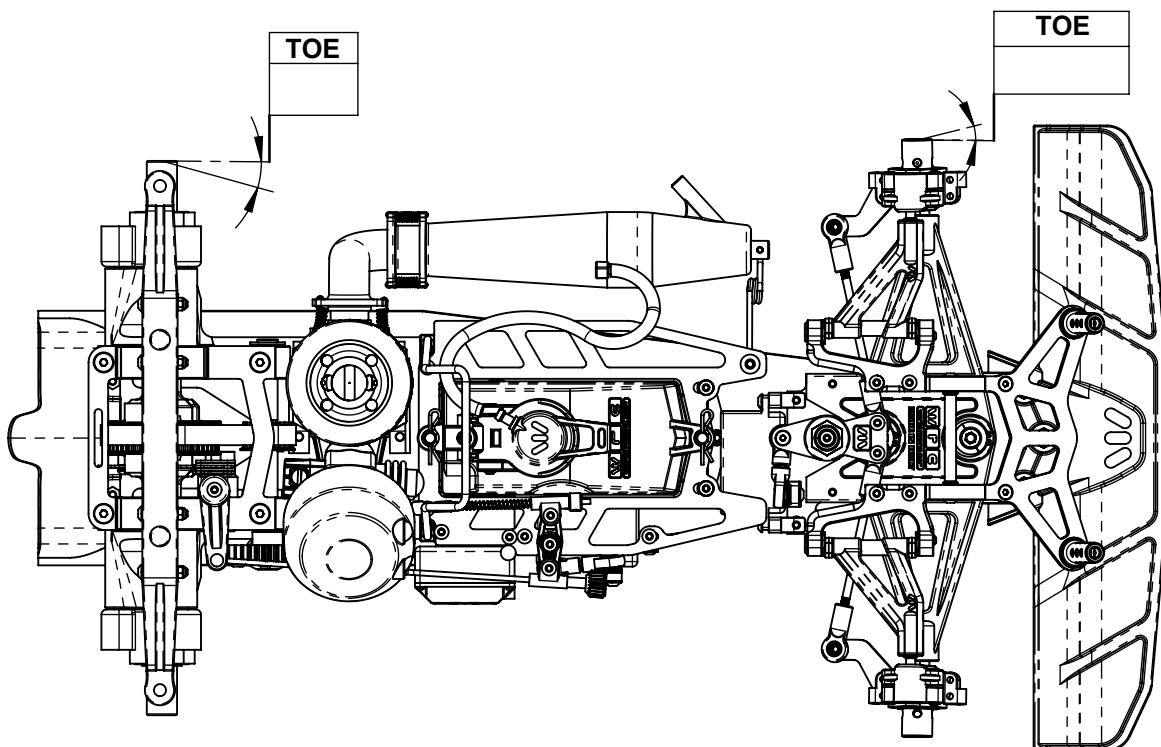
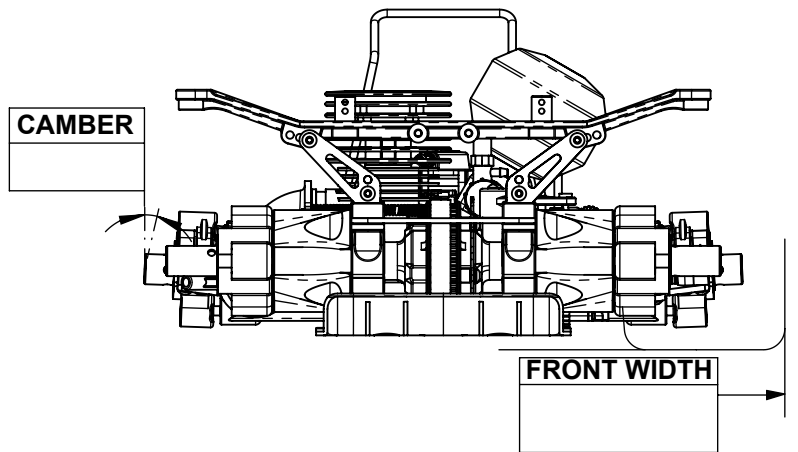
### BODY POSITION

<b>BODY POSITION</b>	
<b>SPOILER POSITION</b>	

### FRONT CAMBER



### REAR CAMBER



NAME \_\_\_\_\_  
 DATE \_\_\_\_\_  
 TRACK \_\_\_\_\_

### TRACK CONDITION

<b>SURFACE</b>	<input type="radio"/> SMOOTH	<input type="radio"/> MEDIUM	<input type="radio"/> BUMPY
<b>SIZE</b>	<input type="radio"/> TIGHT	<input type="radio"/> MEDIUM	<input type="radio"/> FAST
<b>TRACTION</b>	<input type="radio"/> LOW	<input type="radio"/> MEDIUM	<input type="radio"/> HIGH

### CLUTCH SETTINGS

<b>SHOE</b>	STANDARD
<b>CENTRIFUGAL SHOE</b>	STANDARD
<b>SPRING</b>	STANDARD

### ENGINE

<b>ENGINE</b>	
<b>MUFFLER</b>	
<b>MANIFOLD</b>	
<b>PLUG</b>	

### DRIVE RATIO

<b>PINION</b>	18
<b>SPUR</b>	46

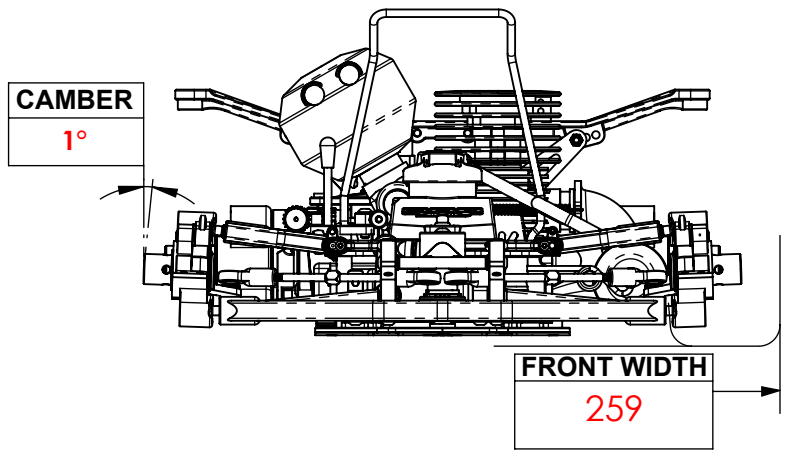
### TYRES

	FRONT	REAR
<b>SHORE</b>	40/40	35/35
<b>DIAMETER</b> start mm.	67	75
<b>DIAMETER</b> start mm.		

### BODY POSITION

<b>BODY POSITION</b>	15 mm
<b>SPOILER POSITION</b>	10 mm

### FRONT CAMBER



### REAR CAMBER

