

GT^X 1.4 SETUP SHEET

NAME _____
 DATE _____
 TRACK _____

TRACK CONDITION

SURFACE SMOOTH MEDIUM BUMPY
SIZE TIGHT MEDIUM FAST
TRACTION LOW MEDIUM HIGH

TRANSMISSION

PINION 1st: _____ 2nd: _____
SPUR GEAR 1st: _____ 2nd: _____

CLUTCH SETTINGS

SHOE STANDARD OPTIONAL
SPRING
BELL CLEARANCE /mm _____
BELL AXIAL PLAY /mm _____

SHOCKS SETTINGS

	FRONT	REAR
SPRINGS		
OIL		
PISTON		
LENGHT /mm		
PRELOAD /mm		
REBOUND %		

ANTI-ROLL BAR

FRONT _____
REAR _____

ARM BUSHES ORIENTATION

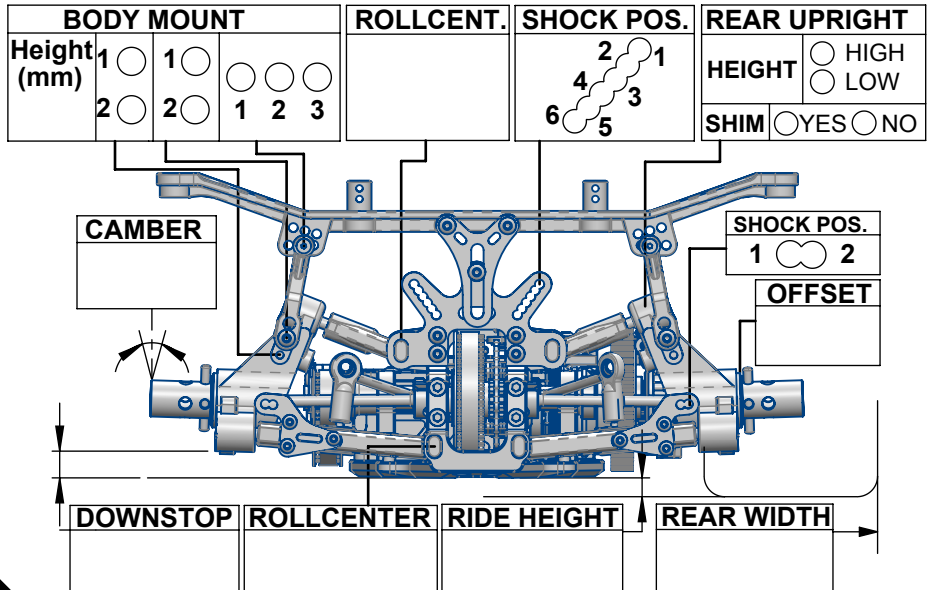
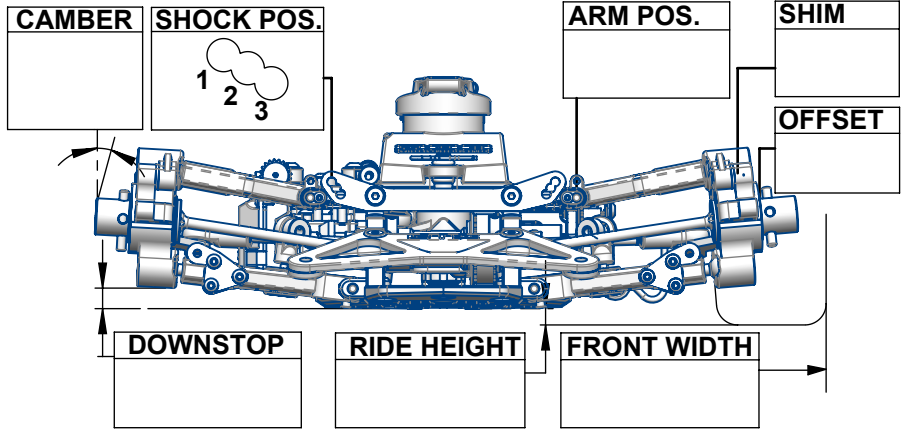
+ 0.5mm / - 0.5mm + 1.0mm / - 1.0mm + 1.5mm / - 1.5mm

BATTERY MOUNT

STANDARD BRASS

ENGINE MOUNT

STANDARD BRASS



DISC
 YES
 NO

TOE°

PULLEY
 29 T
 30 T

FLOATING PLATE
 YES
 NO

SERVO SAVER POS.
 FRONT (1)
 REAR (2)

DISC
 YES
 NO

TOE°

