

NAME \_\_\_\_\_  
 DATE \_\_\_\_\_  
 TRACK \_\_\_\_\_

### TRACK CONDITION

<b>SURFACE</b>	<input type="radio"/> SMOOTH	<input type="radio"/> MEDIUM	<input type="radio"/> BUMPY
<b>SIZE</b>	<input type="radio"/> TIGHT	<input type="radio"/> MEDIUM	<input type="radio"/> FAST
<b>TRACTION</b>	<input type="radio"/> LOW	<input type="radio"/> MEDIUM	<input type="radio"/> HIGH

### DRIVE RATIO

<b>PINION</b>	
<b>SPUR</b>	

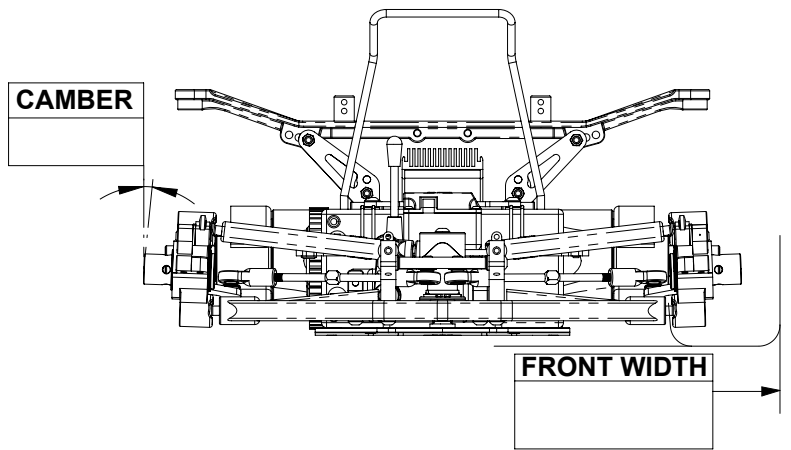
### TYRES

	FRONT	REAR
<b>SHORE</b>		
<b>DIAMETER</b> start mm.		
<b>DIAMETER</b> start mm.		

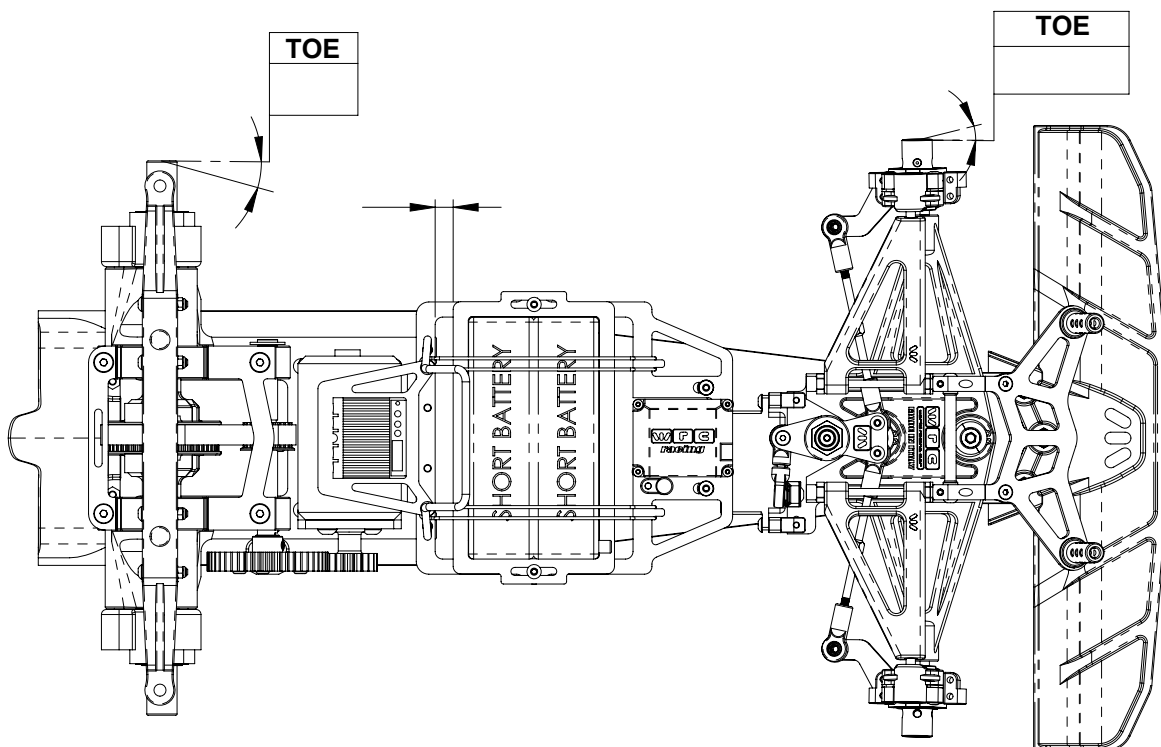
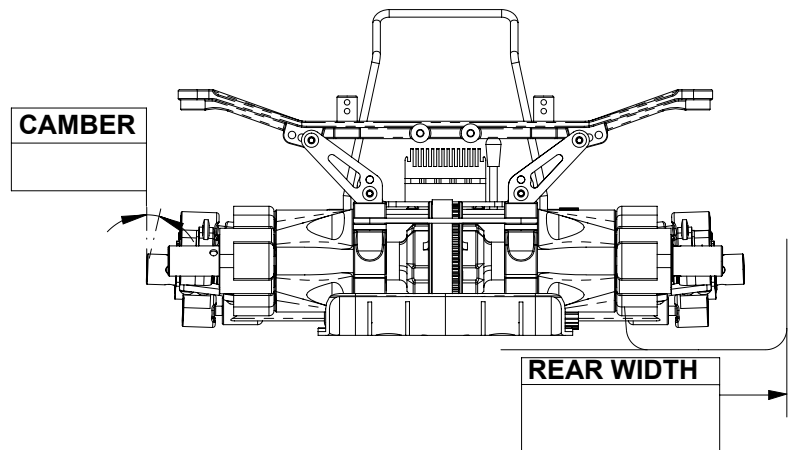
### BODY POSITION

<b>BODY POSITION</b>	
<b>SPOILER POSITION</b>	

### FRONT CAMBER



### REAR CAMBER



NAME \_\_\_\_\_  
 DATE \_\_\_\_\_  
 TRACK \_\_\_\_\_

### TRACK CONDITION

<b>SURFACE</b>	<input type="radio"/> SMOOTH	<input type="radio"/> MEDIUM	<input type="radio"/> BUMPY
<b>SIZE</b>	<input type="radio"/> TIGHT	<input type="radio"/> MEDIUM	<input type="radio"/> FAST
<b>TRACTION</b>	<input type="radio"/> LOW	<input type="radio"/> MEDIUM	<input type="radio"/> HIGH

### DRIVE RATIO

<b>PINION</b>	<b>18</b>
<b>SPUR</b>	<b>46</b>

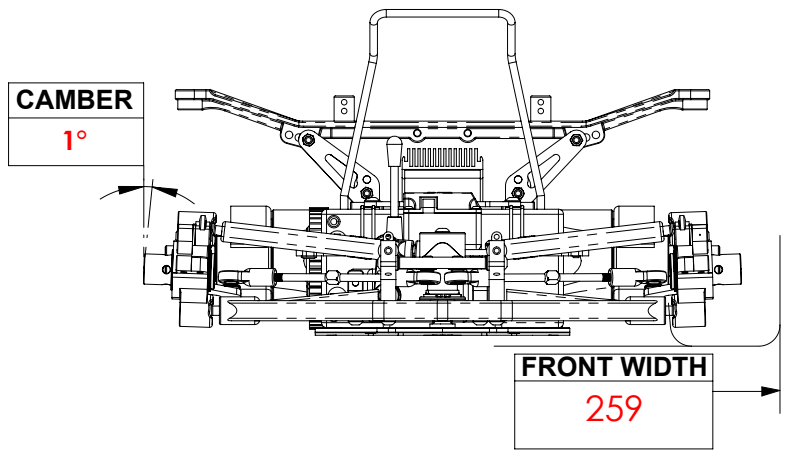
### TYRES

	FRONT	REAR
<b>SHORE</b>	<b>40/40</b>	<b>35/35</b>
<b>DIAMETER</b> start mm.	<b>67</b>	<b>75</b>
<b>DIAMETER</b> start mm.		

### BODY POSITION

<b>BODY POSITION</b>	<b>15 mm</b>
<b>SPOILER POSITION</b>	<b>10 mm</b>

### FRONT CAMBER



### REAR CAMBER

