

NAME \_\_\_\_\_  
 DATE \_\_\_\_\_  
 TRACK \_\_\_\_\_

### TRACK CONDITION

SURFACE  CARPET  ASPHALT  
 TRACTION  
 LOW  MEDIUM  HIGH

### DRIVE RATIO

PINION \_\_\_\_\_ SPUR \_\_\_\_\_  
**90**

### BALL DIFF. TRANSMISSION

LOSE      TIGHT

### TYRES MODE TYPE

FRONT P-ONE P01  
 REAR P-ONE P01

### SPRINGS

FRONT GREY (G)  
 REAR GOLD (GLD)  
 DAMPER RED (R)

### OIL VISCOSITY PISTON HOLES

DAMPER 700 5 HOLES  
 SIDE SHOCK 100000

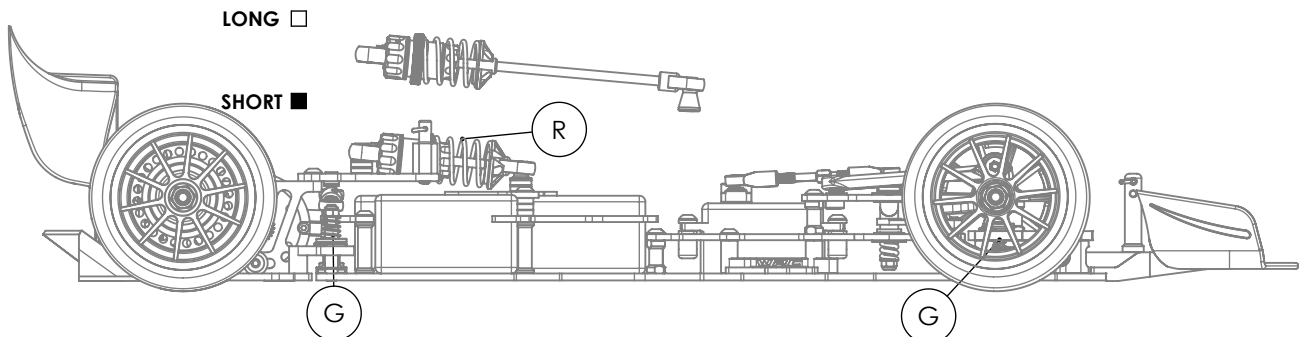
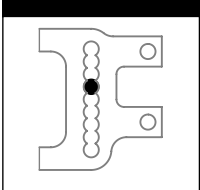
### REAR WING

(1) LOW  
 (2) MEDIUM  
 (3) HIGH

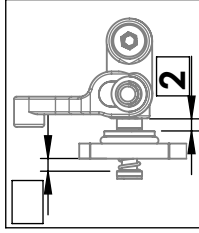
### REAR HEIGHT

-3 MM. -2 MM. -1 MM. 0 MM. +1 MM. +2 MM. +3 MM.

### REAR WING POSITION

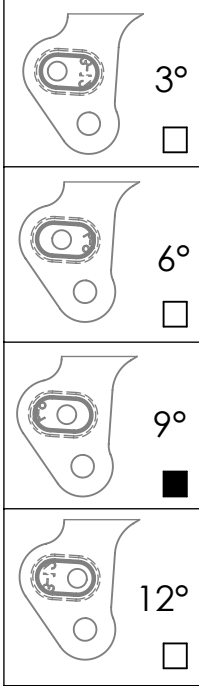


### HEIGHT ADJUST.

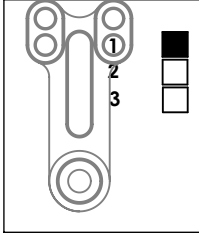


### VIEW FROM TOP

### CASTER



### ACKERMANN



### ABSORBER

