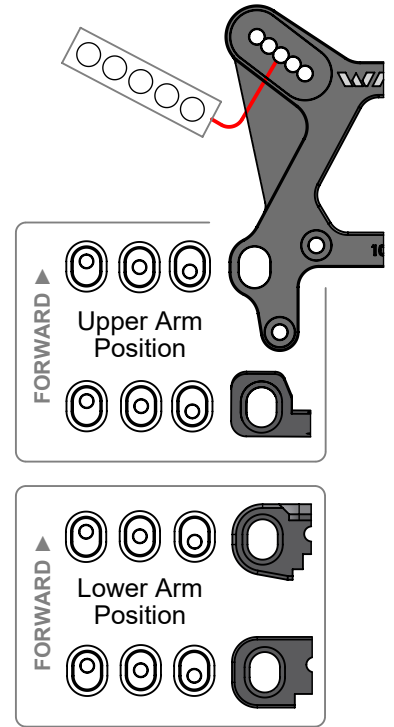
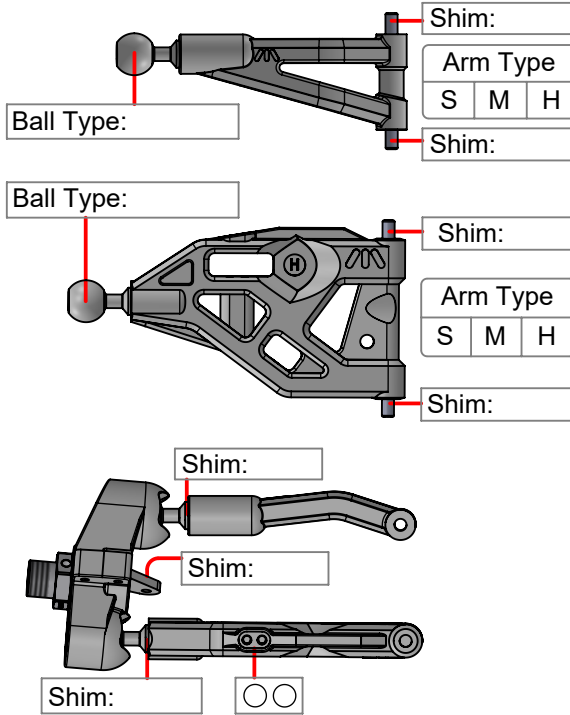
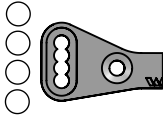


Driver: _____
Date: _____

Track: _____
Event: _____

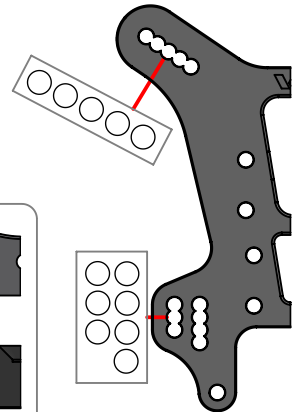
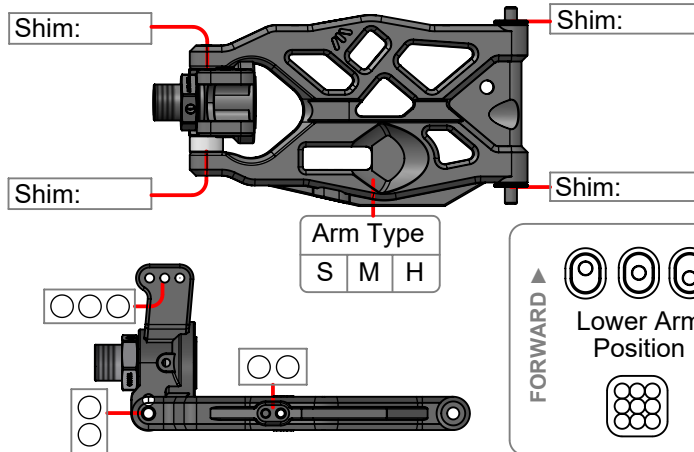
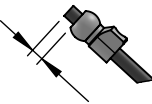
FRONT

Ride Height:
Camber:
Toe:
Anti-Roll Bar
Size:
Gap:
Ackerman
Drive Shaft:
Chassie Brace:
Hex:



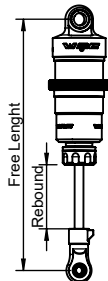
REAR

Ride Height:
Camber:
Toe:
Anti-Roll Bar
Size:
Gap:
Drive Shaft:
Chassie Brace:
Hex:



SHOCKS

	Front	Rear
Piston:		
Membrane:		
Oil:		
Spring:		
Rebound:		
Free Length:		



DIFFERENTIAL

	Front	Center	Rear
Case Mat.:			
Oil:			
Crown Gear:			
Spur Gear:			
Pinion:			

GEARING

TYRES

	Front	Rear
Brand:		
Pattern:		
Insert:		
Wheels:		
Compound:		

ELECTRONICS

Motor:			
Battery:			
Esc:			
Servo:			
Radio:			
%	Throttle:	Brake:	Steering:
Epa:			
Expo:			

BODY & WING

Body:	
Wing:	
Wing Height:	
Gap to tower:	
Size :	
Traction:	
Surface:	

NOTES / OPTIONALS

Total Vehicle Weight: _____