

GT2.5

NEW GENERATION RC CAR

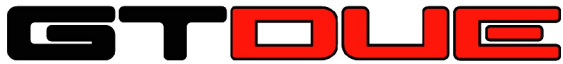
GT NITRO 2WD
1/8 SCALE



INSTRUCTION MANUAL

WIRC
PROFESSIONAL RC CAR

WWW.WIRCRACING.COM



INTRODUCTION

GT2 is a new generation high quality 1/8 scale nitro car.

GT2 is supplied in a box, you can download the Instruction manual from www.wircracing.com

Its use is intended for more than 16 years old persons with experience on rc model car field.

Children and all the persons without this requirement MUST have direct supervision of a knowledgeable adult responsible.

SAFETY PRECAUTIONS

Instruction Manual MUST be read and fully understood before to start building and operating functions.

Always keep Instruction Manual in safety place, ready to be consulted for any reference you need.

Use only original WIRC spare parts.

GENERAL INFORMATION

Assemble the kit only away from the reach of children.

Follow the building and operating instructions using the utmost care.

Don't put any part of your body inside rotating and moving elements as this may cause damage or serious injury.

Check and clean the model before putting it away.

Don't use your model car in public places or in roads and areas where it could generate conflict with person or vehicular traffic.

The model car is controlled by radio: you MUST put great care to avoid loss of radio control always keeping a safety margin all around your model in order to prevent any collision.

Operating frequency: check and be sure it is clear and not shared with anybody at same time; it could cause loss of control of the RC model.

Always turn on your transmitter before you turn on the receiver in the car and always turn off the receiver before you turn off your transmitter.

Keep the wheels of the model off the ground when checking the operation of the radio equipment.

Disconnect the battery pack before storing your model.

WARRANTY

WIRC guarantees this model kit to be free from defects in both material and workmanship within 30 days of purchase.

The total monetary value under warranty will in no case exceed the cost of the original kit purchased.

This warranty doesn't cover any components damaged by use or modification or as result of wear.

Part or parts missing from this kit must be reported within 30 days of purchase.

No part or parts will be sent under warranty without proof of purchase.

If you find a defective or missing part, contact the local distributor.

Customer service and support will be provided through local hobby store.

No warranties are expressed or implied that cover damage caused by what is considered normal use or cover or imply how long any model cars' components or electric components will last before requiring replacement.

Due to the high performance level of this model car you will need to periodically maintain and replace consumable components; any and all warranty coverage will not cover replacement of any part or component damaged by neglect, abuse or improper or unreasonable use.

This includes but is not limited to damage from crashing, excessive moisture, improper use or no maintenance or user modifications which compromise the integrity of components.

Warranty will not cover components that are considered consumable on RC model car.

WIRC doesn't pay nor refund on any component sent from WIRC or its distributor for warranty.

WIRC reserves the right to make final determination of the warranty status of any component or part

Use only original WIRC spare part:

CUSTOMER SUPPORT

Please don't hesitate to contact WIRC support at info@wircracing.com for any problem or question.

Also kindly visit our website www.wircracing.com to find last updates, set-up information, option parts and other information.

World racing car s.r.l.

Via A.Volta 2 Bis
36040 Brendola (VI)

ITALY

Phone: 0039 0 444 1792263

E-mail: info@wircracing.com

Website: www.wircracing.com



TECHNICAL INFORMATION

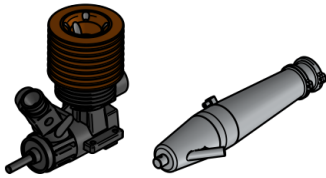
- BODY: PROTOTYPE MODEL (NOT INCLUDED)
- ADJUSTABLE FRONT TOE, CAMBER AND CASTER
- ADJUSTABLE REAR TOE AND CAMBER
- BUMPER /FRONT BACKSTOP
- ALUMINUM CHASSIS
- FULL BALL BEARING
- CARBON RADIO PLATE
- TRANSMISSION: 2WD
- REAR DIFFERENTIAL: GEAR DIFFERENTIAL

TECHNICAL DATA

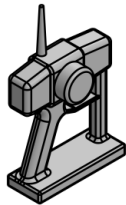
- LENGTH435 MM.
- WIDTH264 MM.
- WHEEL BASE300 MM.
- WEIGHT CHASSIS.....2080 GR.

REQUIRED BUT NOT INCLUDED IN THE KIT

ADDITIONAL ITEMS NEEDED FOR COMPLETION



ENGINE AND MUFFLER



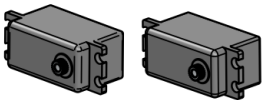
TRANSMITTER



RECEIVER



LEXAN BODY



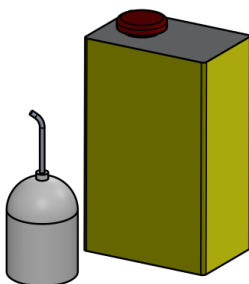
2 LOW PROFILE STEERING SERVO



AA ALKALINE BATTERIES FOR TRANSMITTER AND RECEIVER



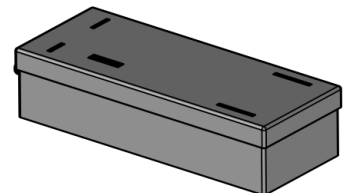
WHEEL - TYRES - INSERTS



FUEL AND FUEL PUMP



POCKET BOOSTER



STARTER

TOOLS REQUIRED

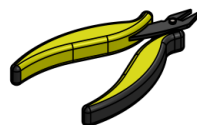
THESE TOOLS ARE NOT INCLUDED IN THE KIT BUT ARE REQUIRED FOR PROPER ASSEMBLY



ALLEN:
1.5 MM.
2.0 MM.
2.5 MM.
3.0 MM.



RING PLIERS



SIDE CUTTER

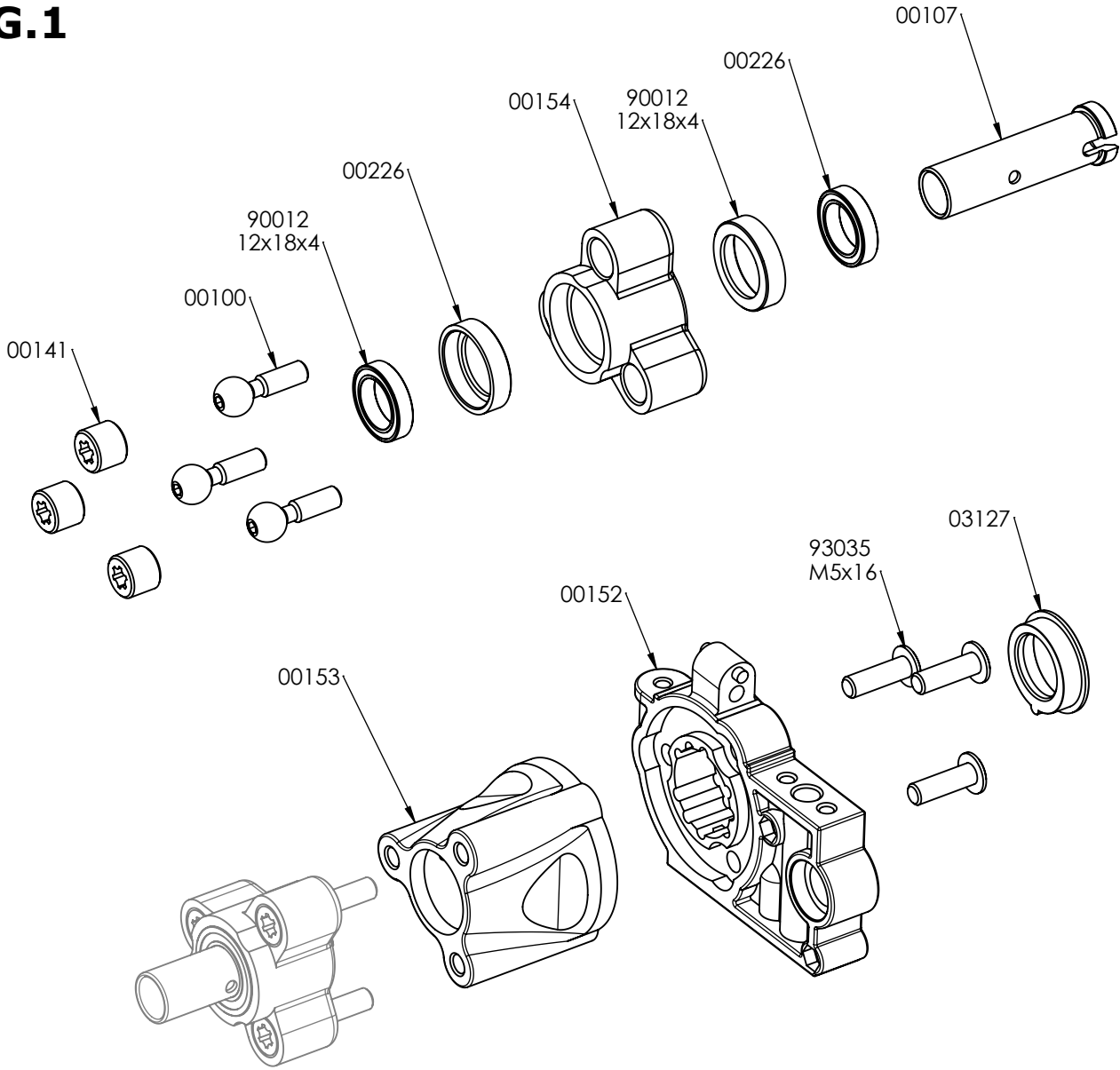


SCISSORS

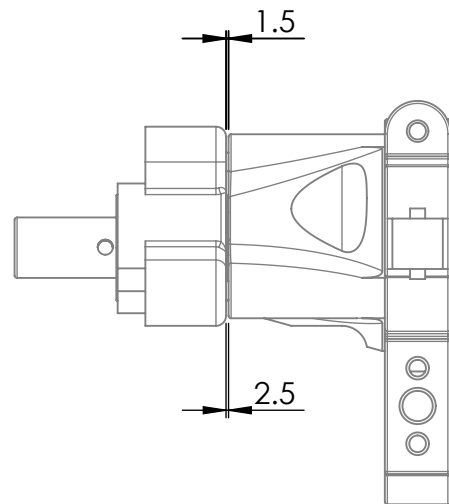
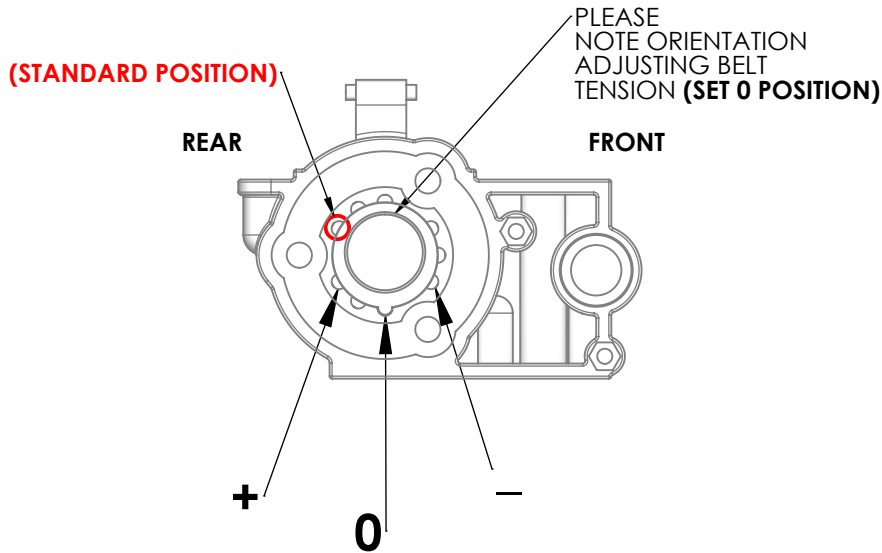
NOTICE:

THE FOLLOWING ITEMS ARE NEEDED FOR COMPLETION OF THE GT2; THEY ARE NOT INCLUDED IN THIS KIT (UNLESS NOTED) AND SHOULD BE OBTAINED FROM YOUR LOCAL HOBBY SHOP.
BE SURE TO READ THE INSTRUCTION COMPLETELY PRIOR TO ASSEMBLY

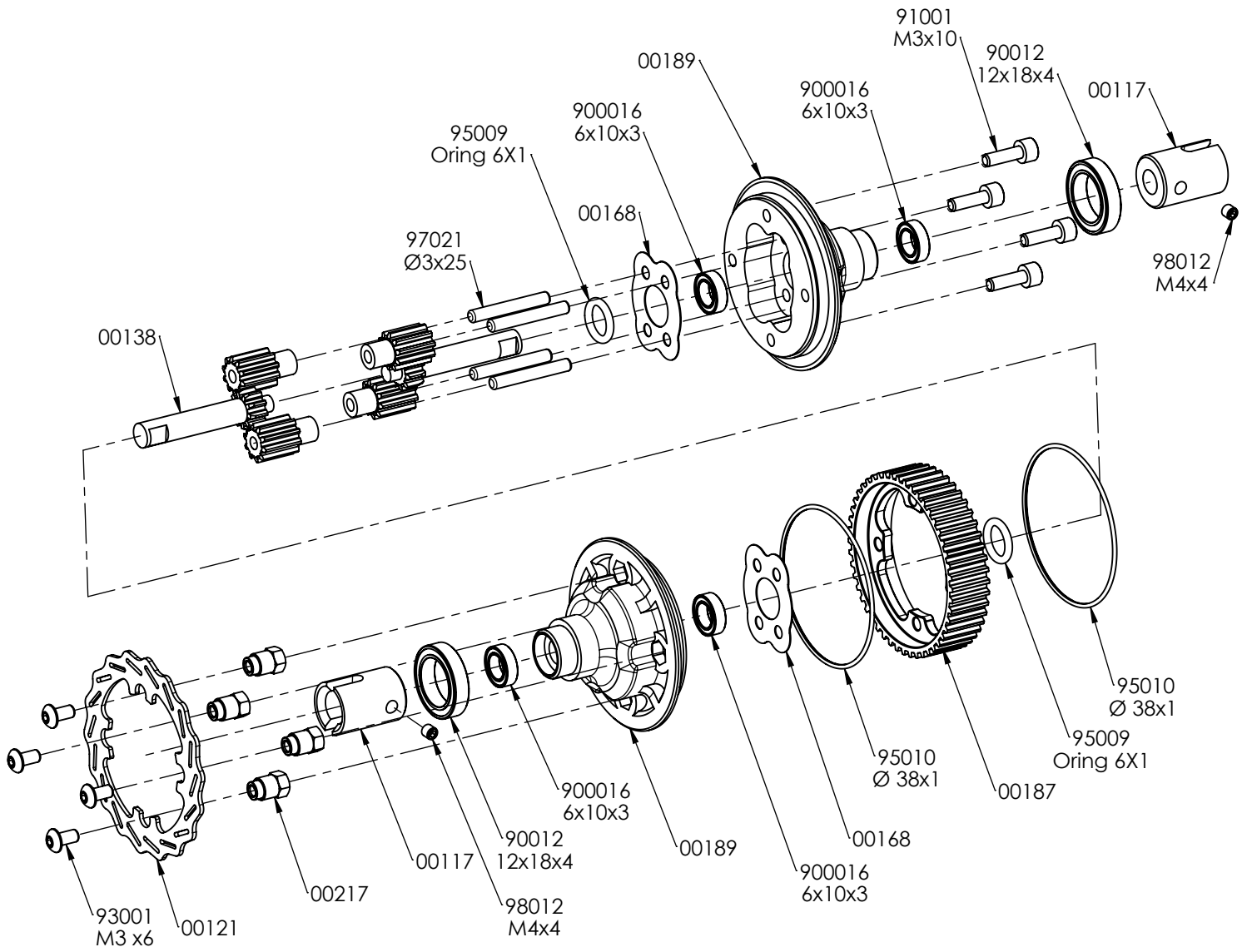
BAG.1 X2



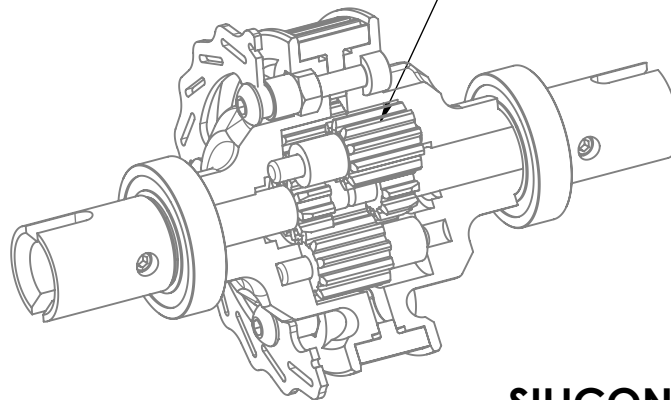
TENSION BELT REGULATION



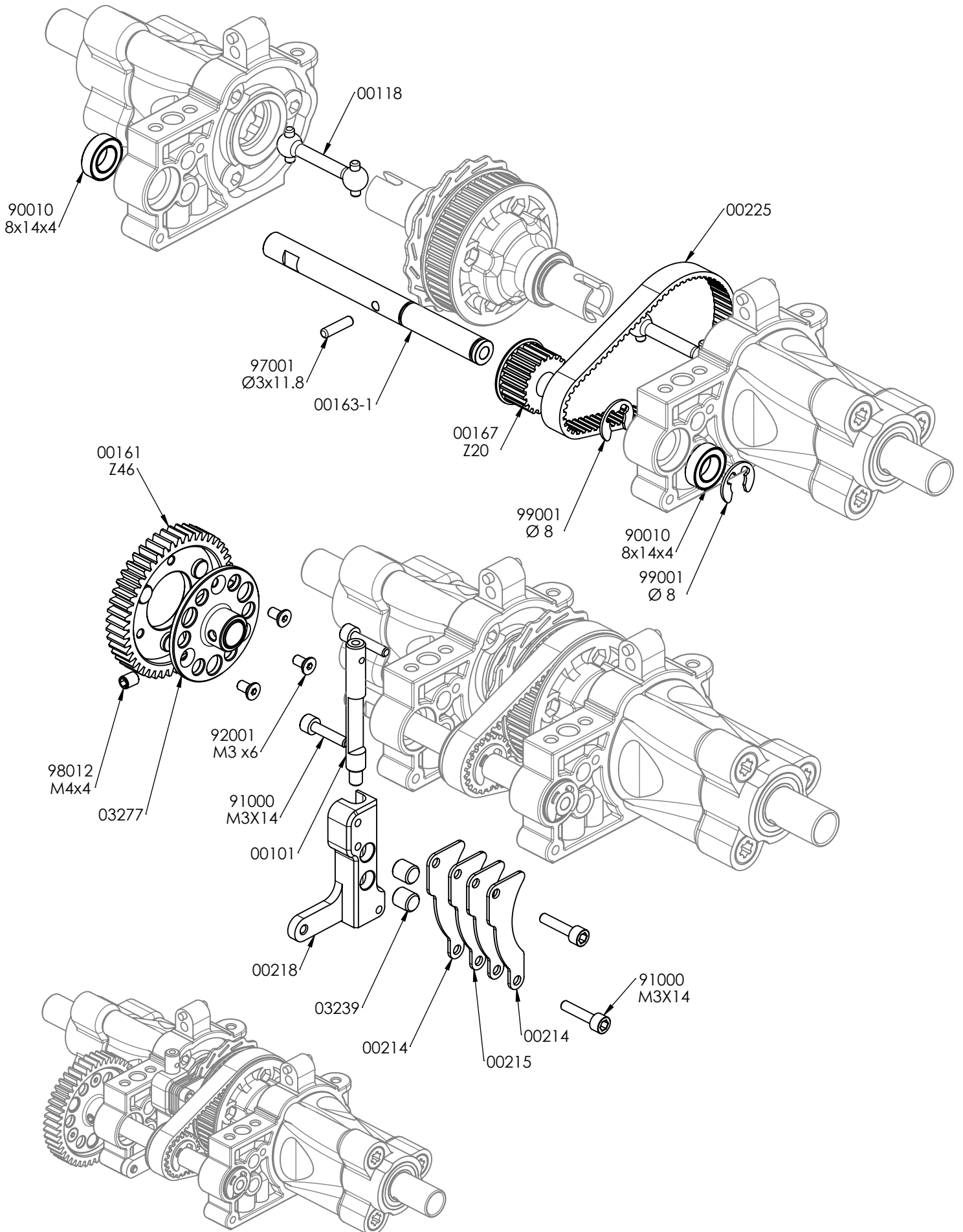
FRONT



PLEASE SEE ATTENTION
TO THE GEAR POSITION

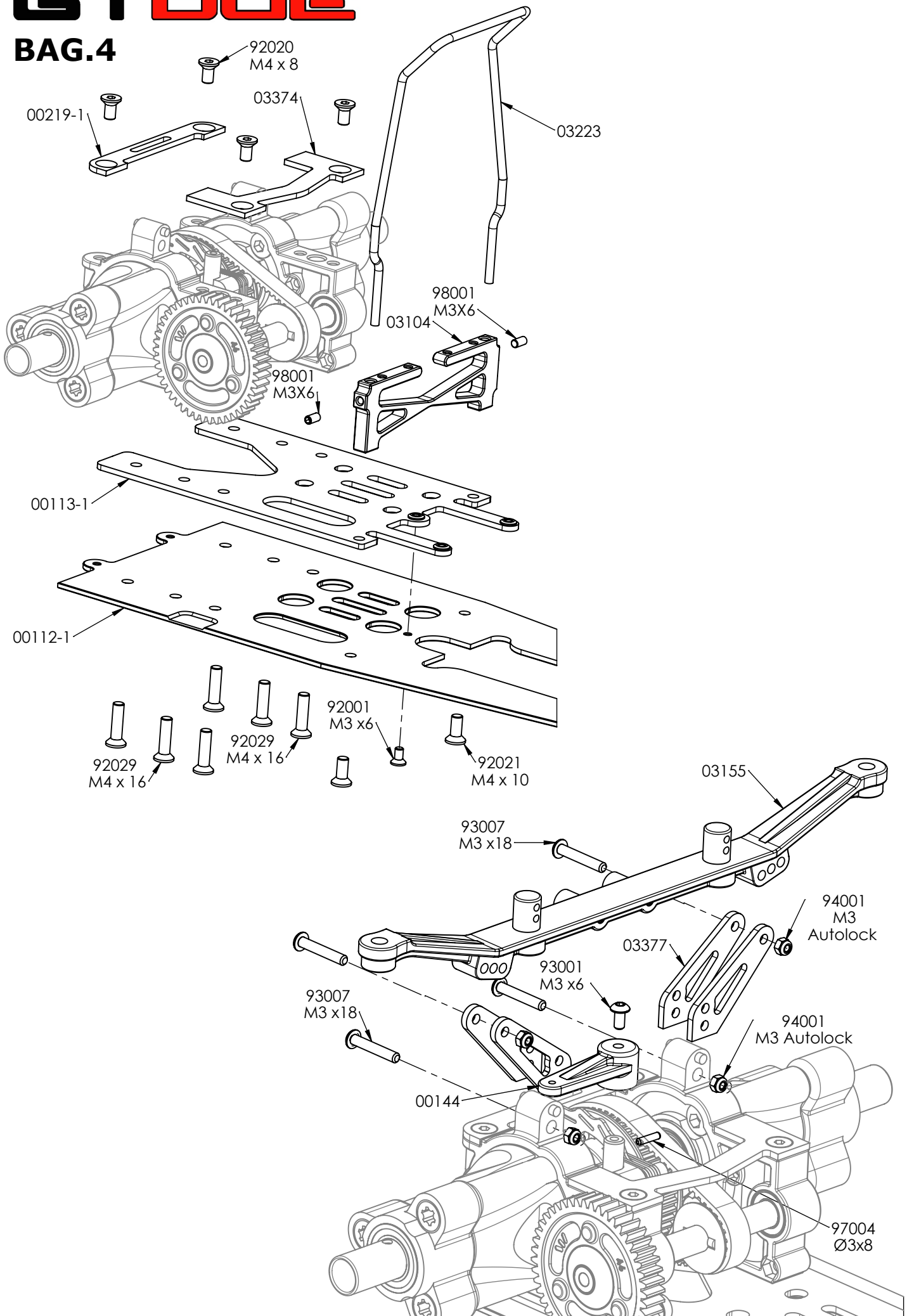


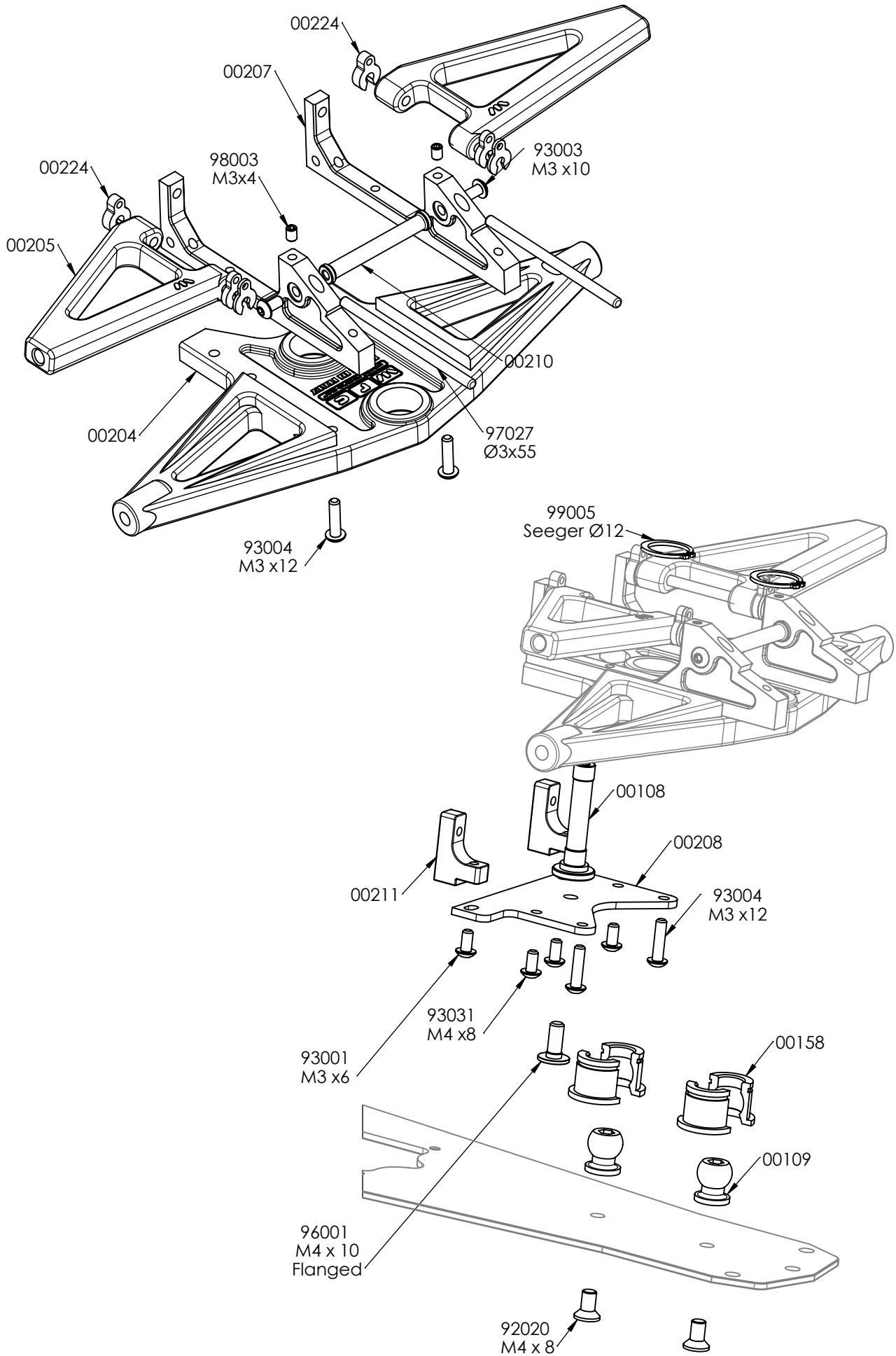
**SILICON OIL
20000 cst**

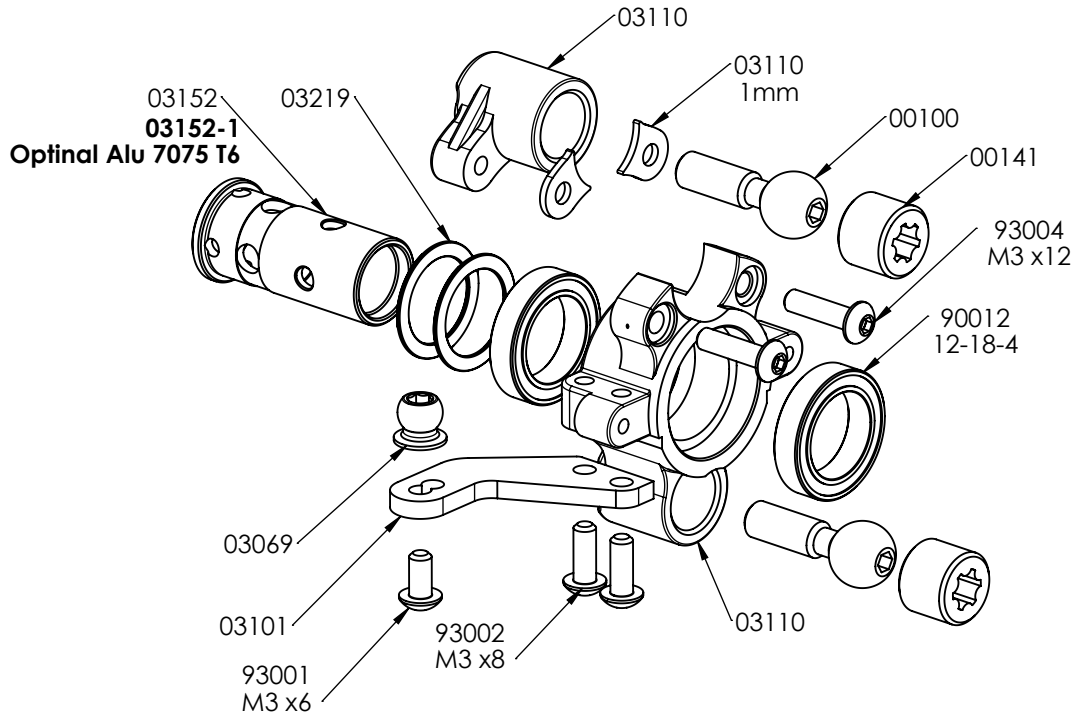


GTOUE

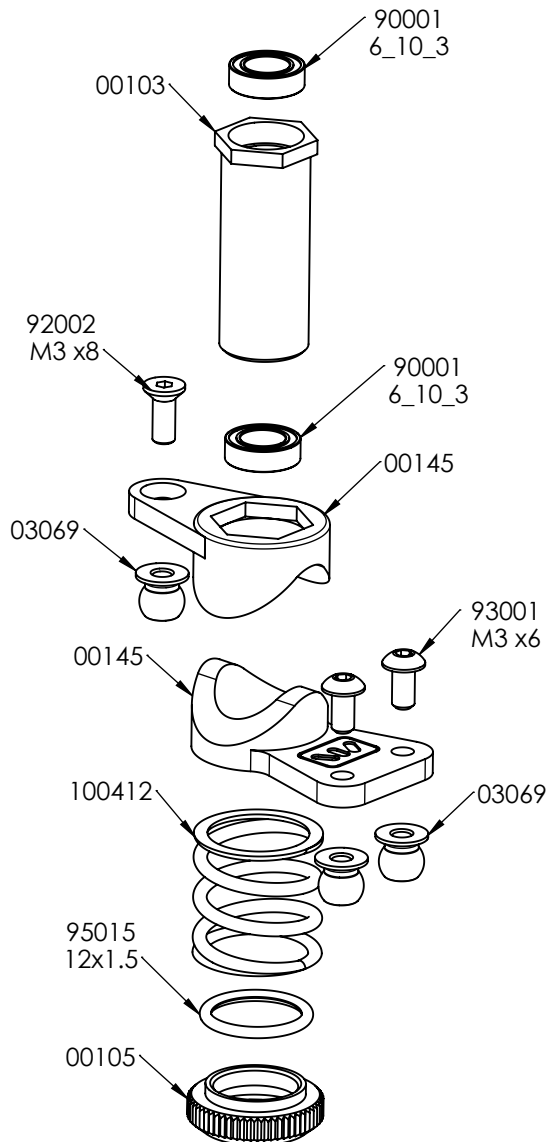
BAG.4

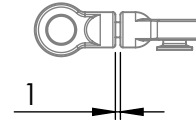
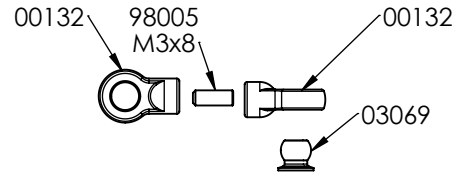
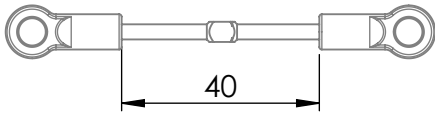
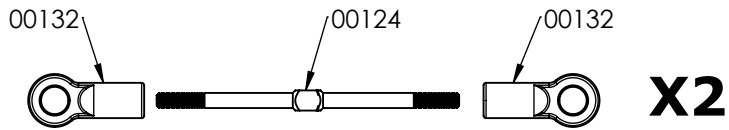




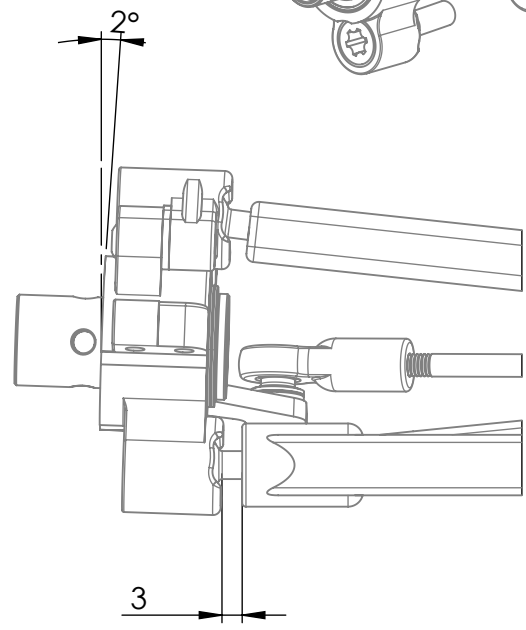
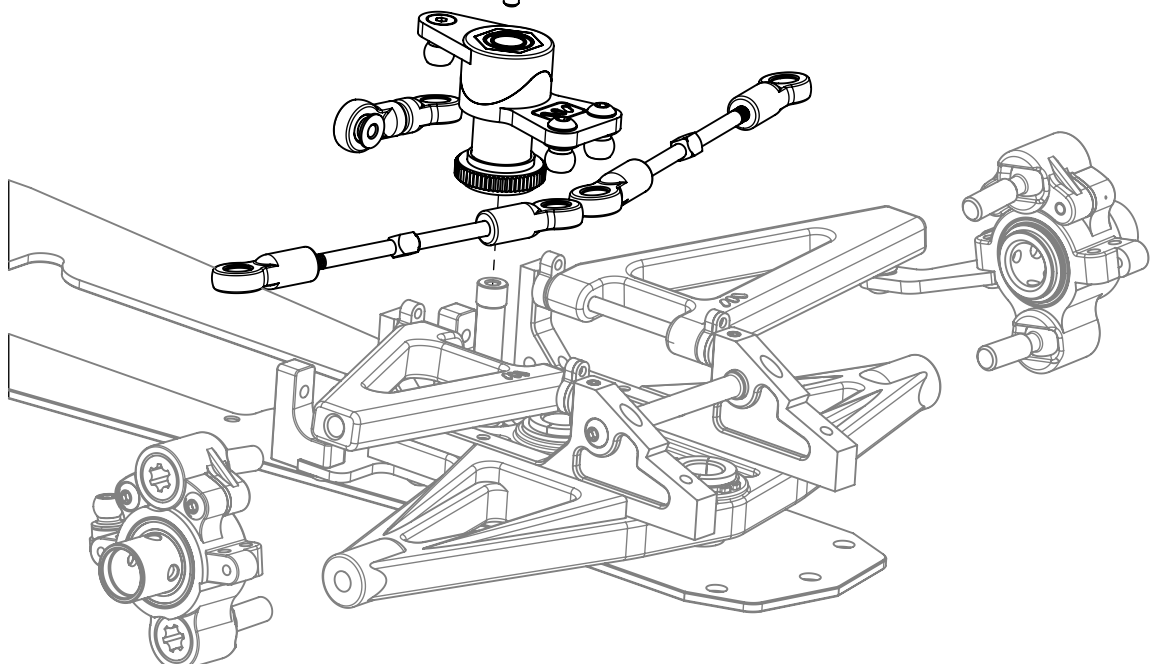


X2

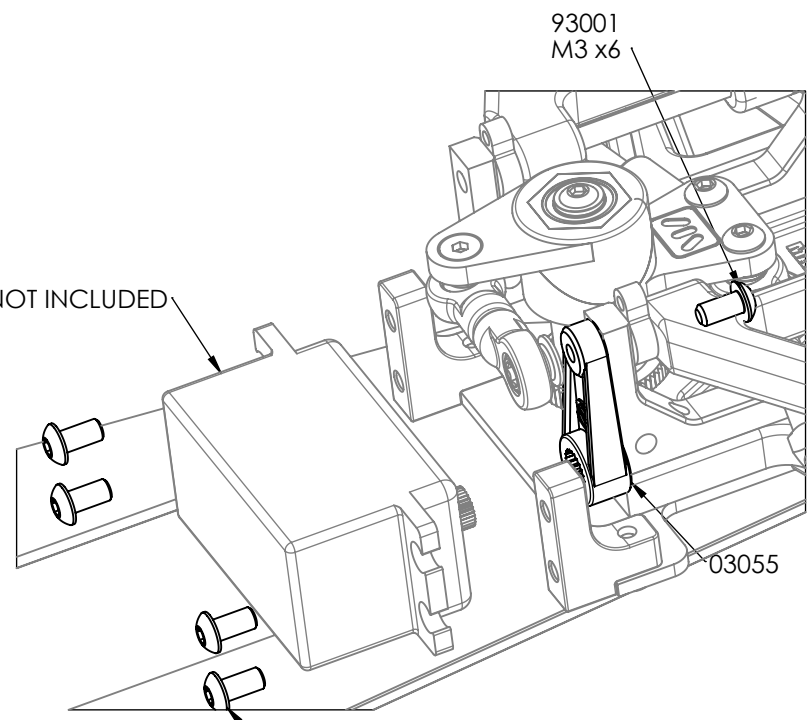




96003
M3 x6
Flanged



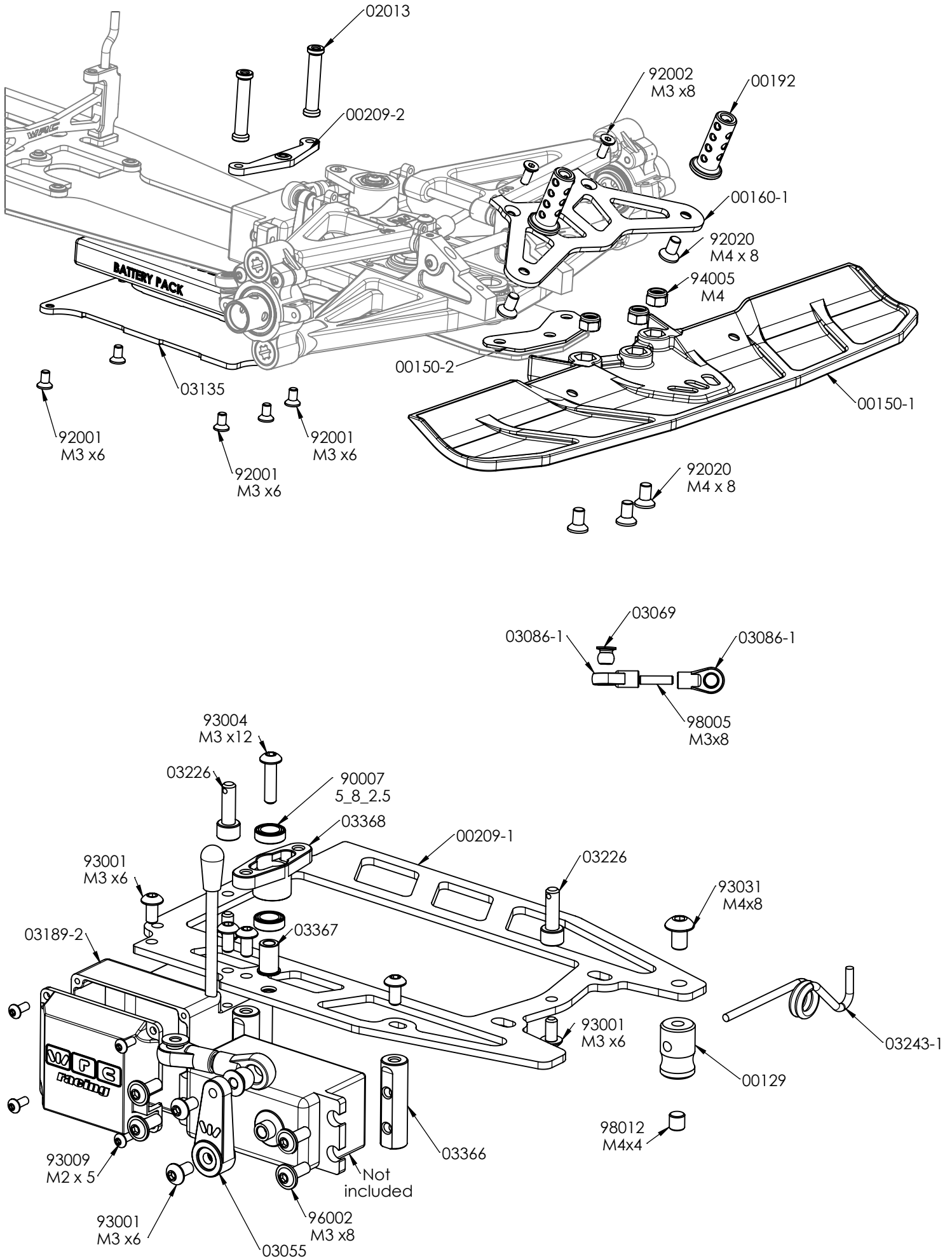
NOT INCLUDED

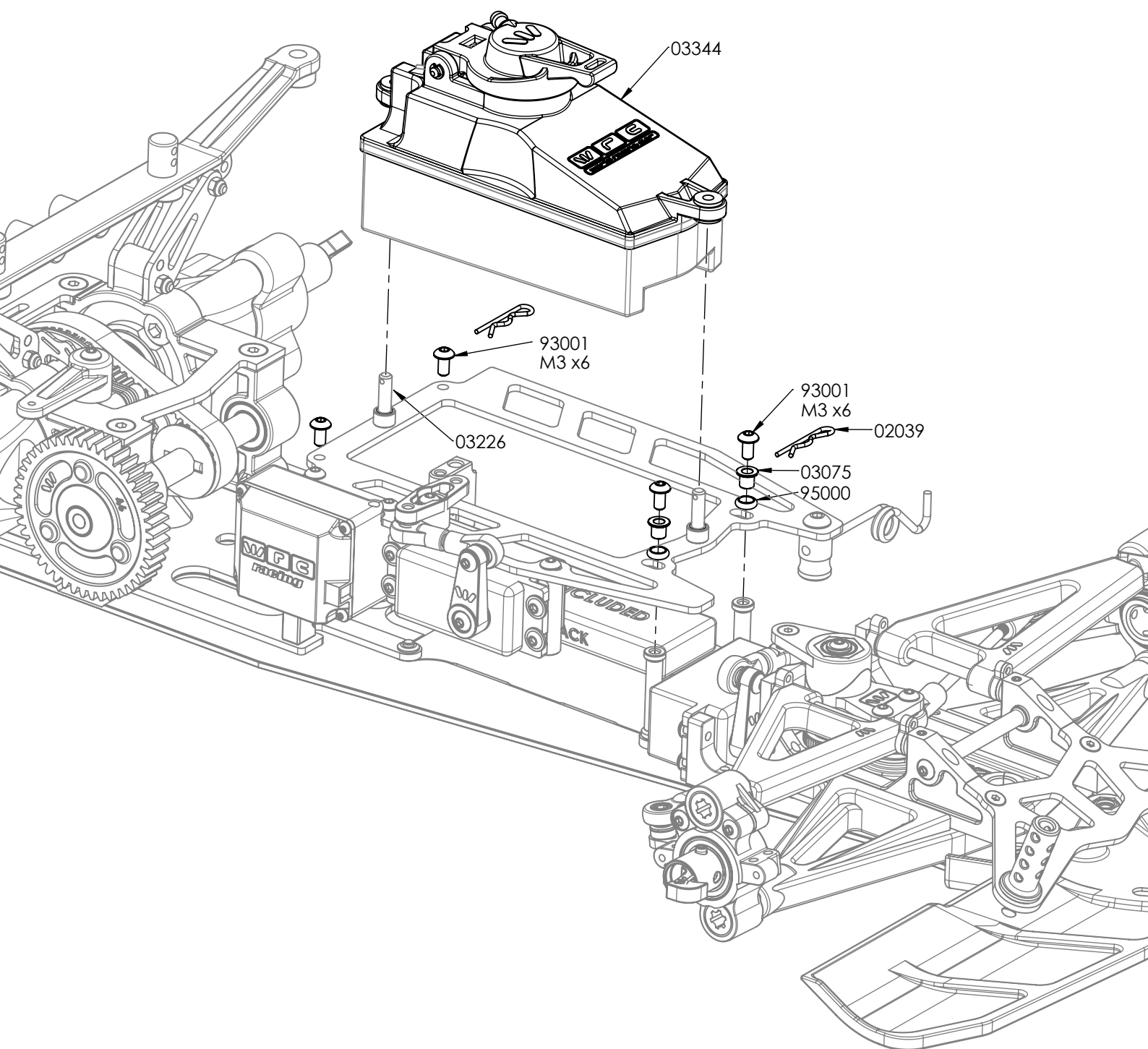


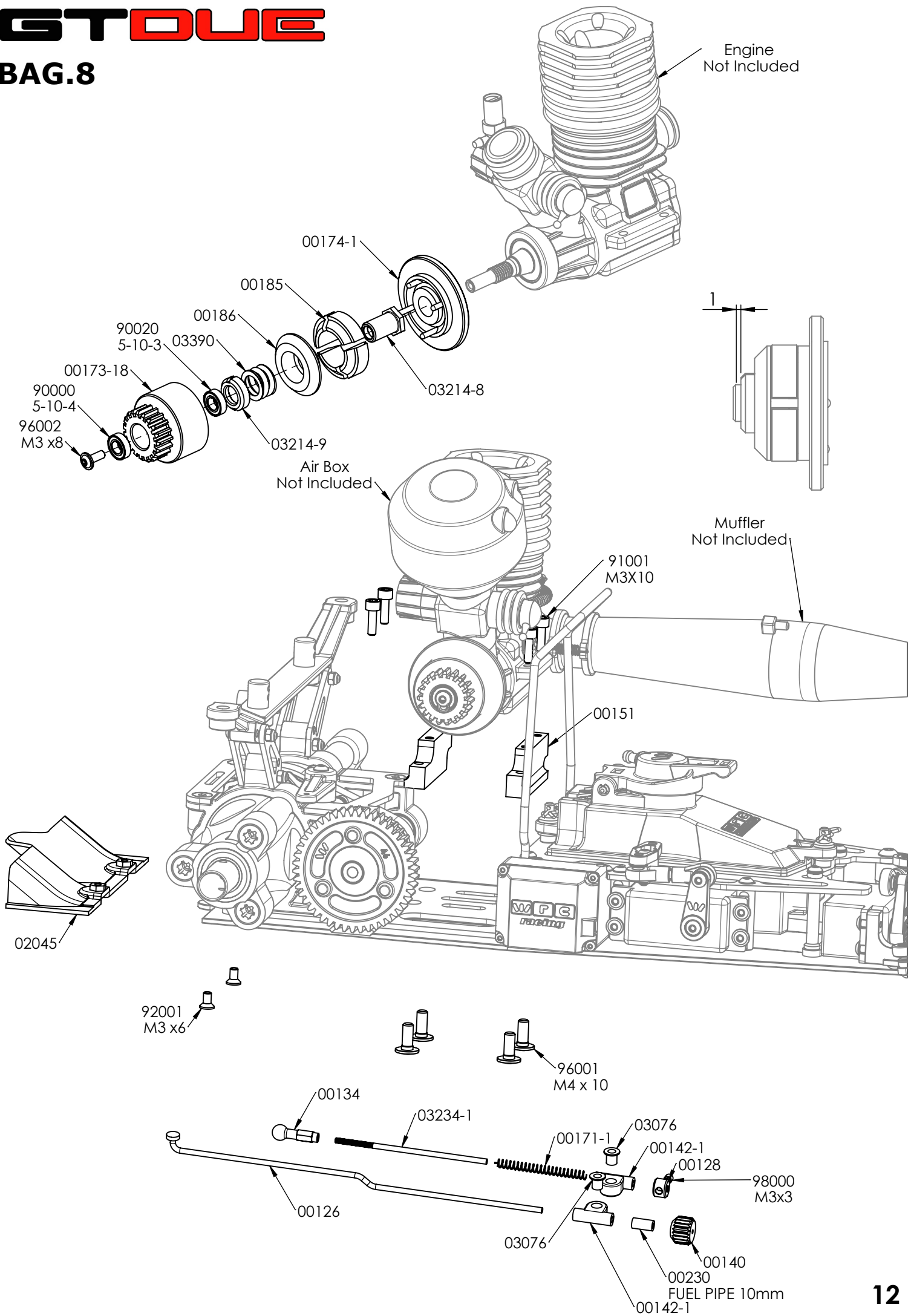
93001
M3 x6

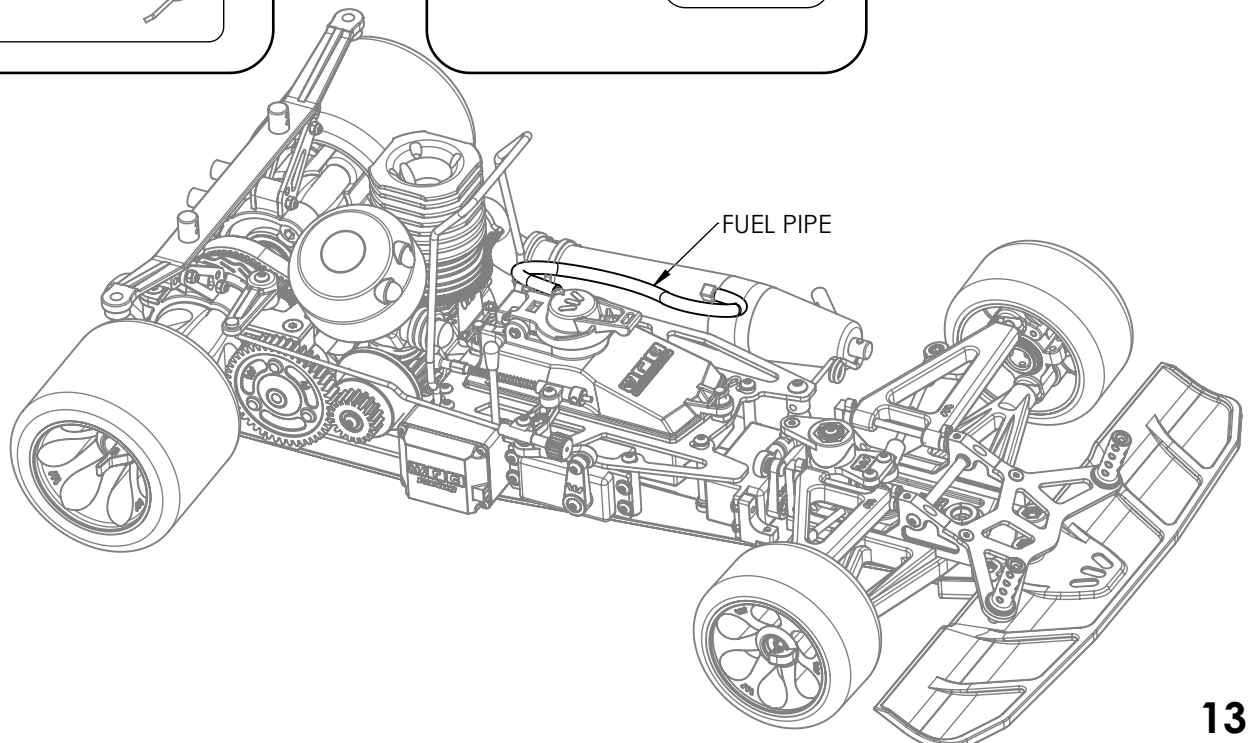
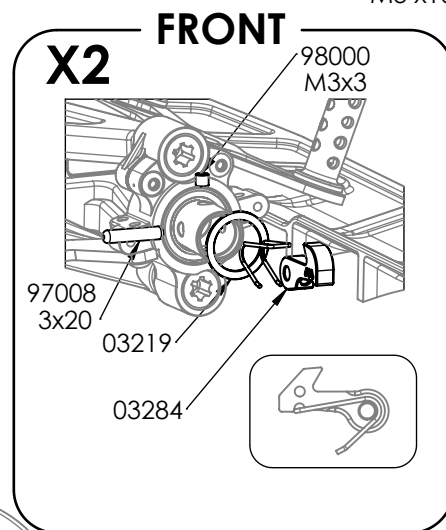
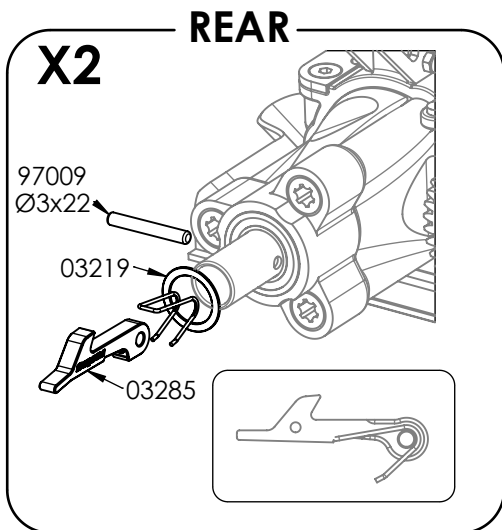
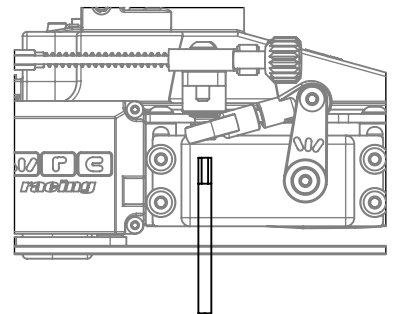
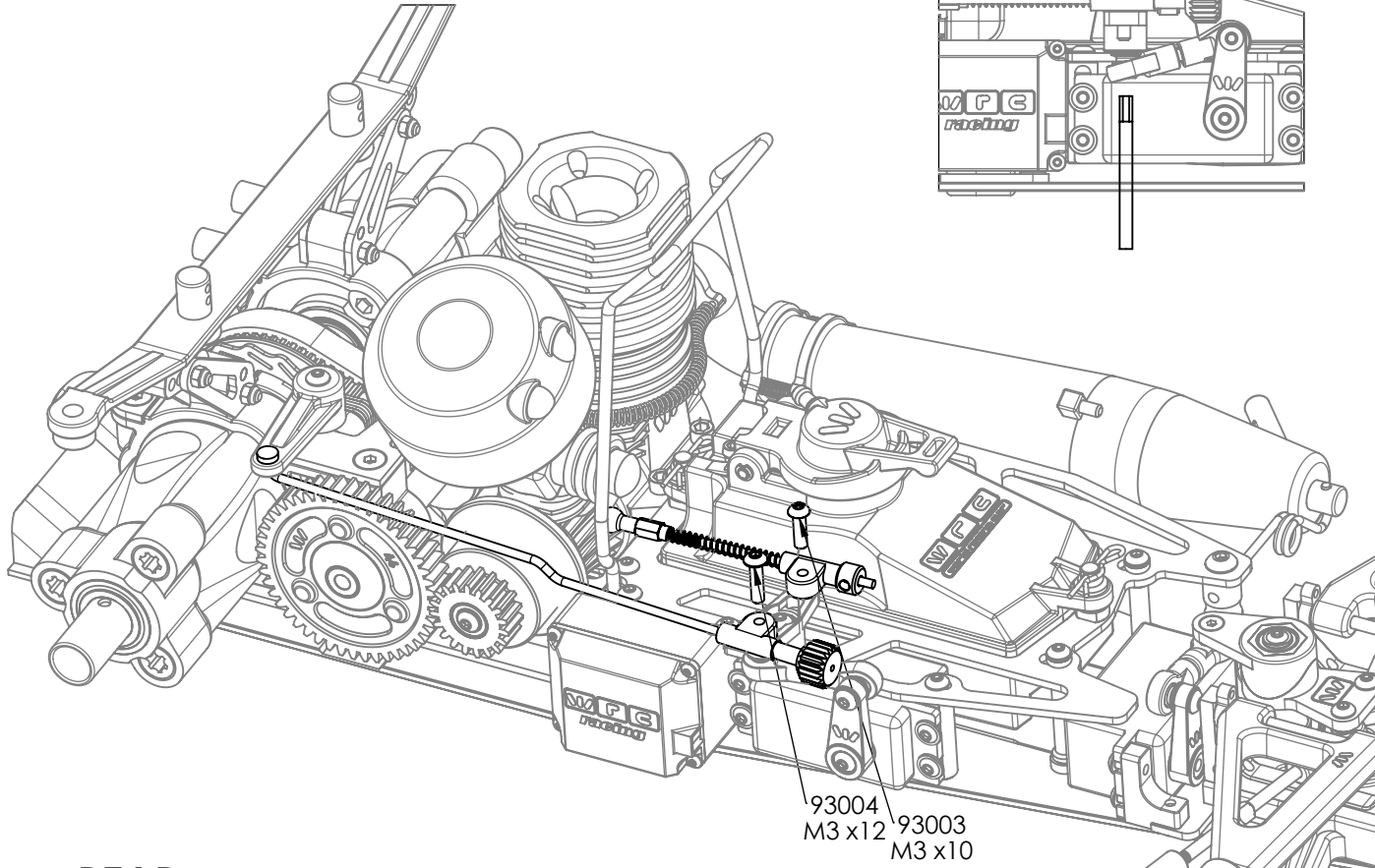
03055

93001
M3 x6









NAME _____
 DATE _____
 TRACK _____

TRACK CONDITION

SURFACE	<input type="radio"/> SMOOTH	<input type="radio"/> MEDIUM	<input type="radio"/> BUMPY
SIZE	<input type="radio"/> TIGHT	<input type="radio"/> MEDIUM	<input type="radio"/> FAST
TRACTION	<input type="radio"/> LOW	<input type="radio"/> MEDIUM	<input type="radio"/> HIGH

CLUTCH SETTINGS

SHOE	
CENTRIFUGAL SHOE	
SPRING	

ENGINE

ENGINE	
MUFFLER	
MANIFOLD	
PLUG	

DRIVE RATIO

PINION	
SPUR	

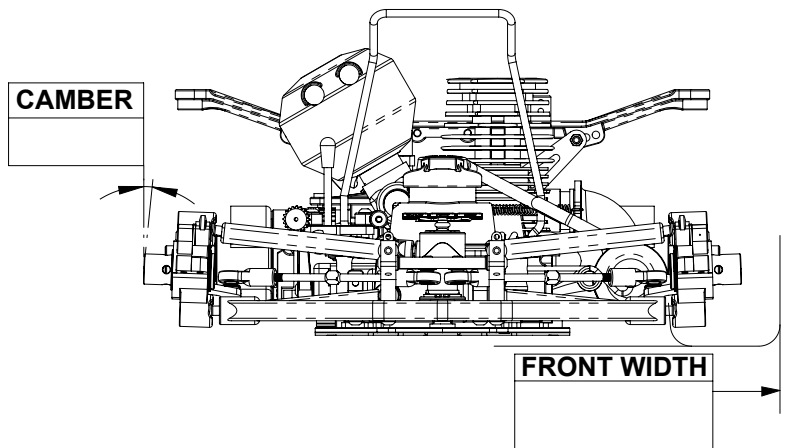
TYRES

	FRONT	REAR
SHORE		
DIAMETER start mm.		
DIAMETER start mm.		

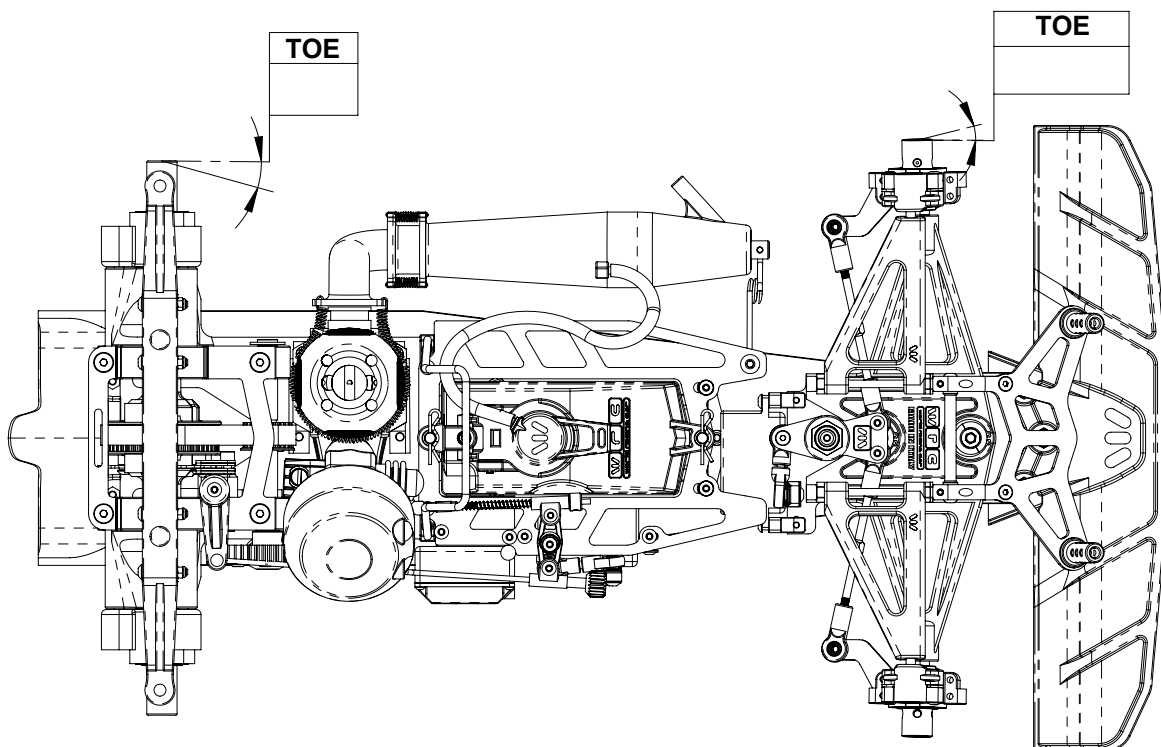
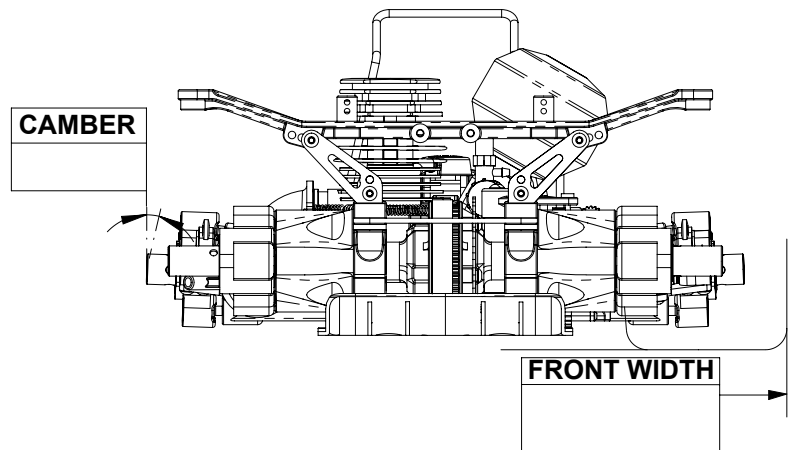
BODY POSITION

BODY POSITION	
SPOILER POSITION	

FRONT CAMBER



REAR CAMBER



NAME _____
 DATE _____
 TRACK _____

TRACK CONDITION

SURFACE	<input type="radio"/> SMOOTH	<input type="radio"/> MEDIUM	<input type="radio"/> BUMPY
SIZE	<input type="radio"/> TIGHT	<input type="radio"/> MEDIUM	<input type="radio"/> FAST
TRACTION	<input type="radio"/> LOW	<input type="radio"/> MEDIUM	<input type="radio"/> HIGH

CLUTCH SETTINGS

SHOE	STANDARD
CENTRIFUGAL SHOE	STANDARD
SPRING	STANDARD

ENGINE

ENGINE	
MUFFLER	
MANIFOLD	
PLUG	

DRIVE RATIO

PINION	18
SPUR	46

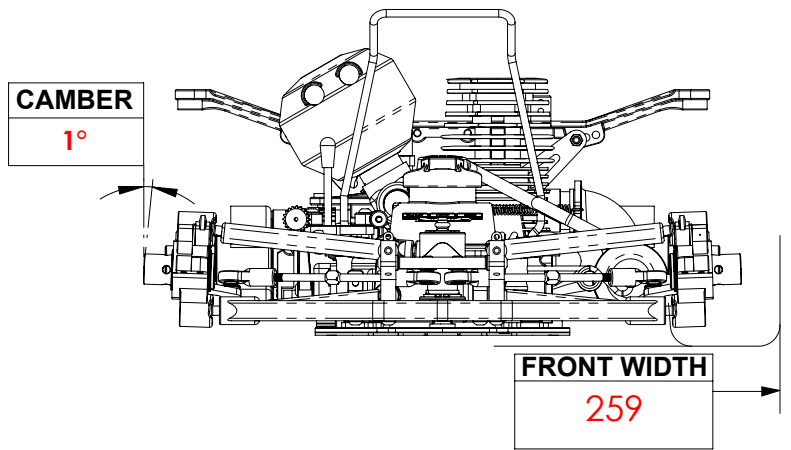
TYRES

	FRONT	REAR
SHORE	40/40	35/35
DIAMETER start mm.	67	75
DIAMETER start mm.		

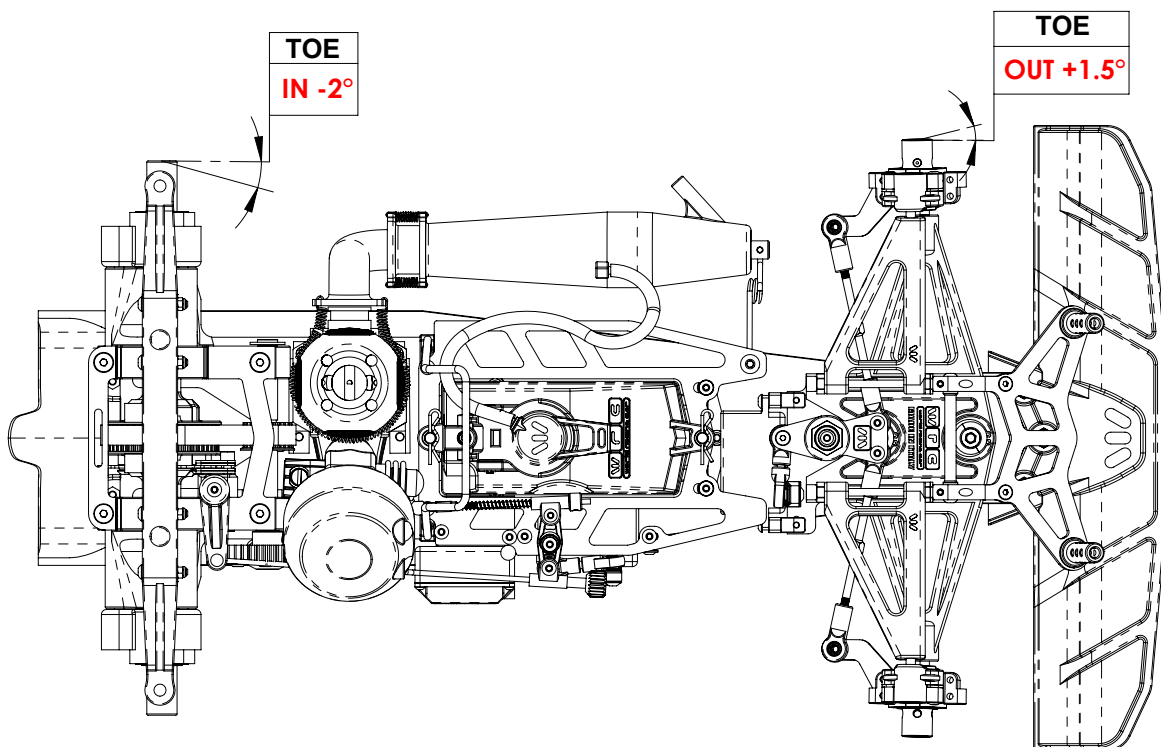
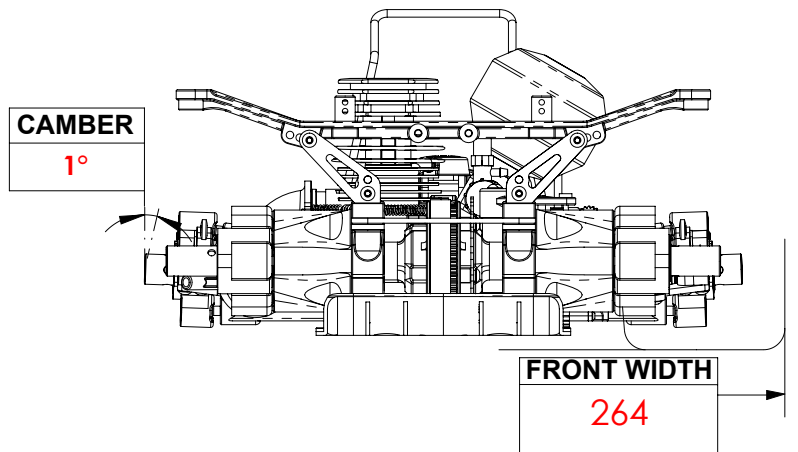
BODY POSITION

BODY POSITION	15 mm
SPOILER POSITION	10 mm

FRONT CAMBER



REAR CAMBER



WIRC
PROFESSIONAL RC CAR

WWW.WIRCRACING.COM