

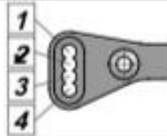


Driver: Marco Baruffolo
Date:

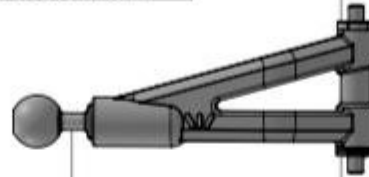
Track: Nitrobuggy
Event:

Front Suspension:

Ride Height: 22
Camber: -1
Toe:
Anti-Roll Bar
Size: 2.3
Gap: 0
Ackerman
1
2
3
4
Drive Shaft: std
Chassie Brace: std
Hex: 0



Caster Shim: 2



Upper Ball Type: std

Caster Shim: std

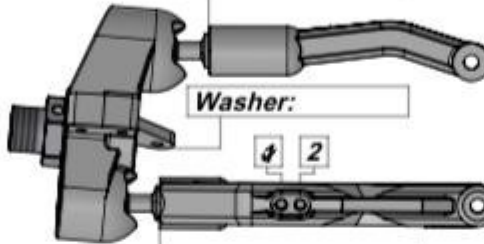
Upper Ball Shim: 1.5

Wheelbase Shim: 1.75



Lower Ball Type: steel

Wheelbase Shim: 0



Washer:

Lower Ball Shim: 0.8

Lower Arm Position

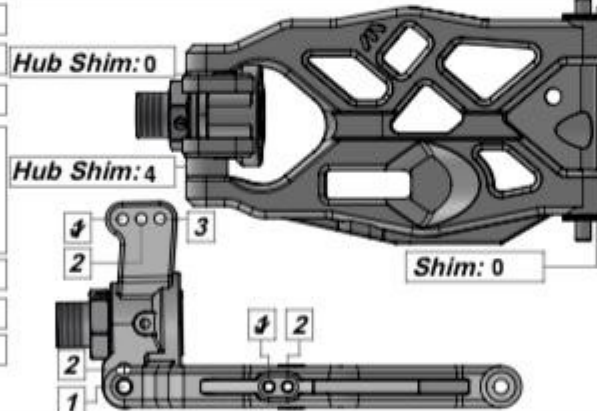


Upper Arm Position



Rear Suspension:

Ride Height: 28
Camber: -2
Toe:
Anti-Roll Bar
Size: 2.6
Gap: 0
Drive Shaft: std
Chassie Brace: aluminium
Hex: 0



Hub Shim: 0

Hub Shim: 4

Shim: 1.7

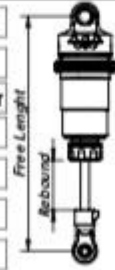
Shim: 0

Lower Arm Position



Shocks:

	Front	Rear
Piston:	5 1.5	5 1.6
Membrane:	emulsior	emulsior
Oil:	650	750
Spring:	std	std
Rebound:	0	0
Free Length:	105	123



Differential:

	Front	Center	Rear
Case Mat.:	std	std	std
Oil:	15	10	4
Crown Gear:	13-43	13-43	13-43
Gearing :			
Clutch Belt:			Spur Gear
Shoe:			Spring

Tires:

	Front	Rear
Brand:	hotrace	hotrace
Pattern:	sahara	sahara
Insert:	hotrace	hotrace
Whells:	hotrace	hotrace
Compound:	medium	
Total Vehicle Weight:		

Engine:	
Type:	reds 721 sv gen3
Muffler:	2113 xone
Manifold:	
Plug:	ts4
Fuel:	energy fuel

Body, Wing:	
Body:	std
Wing:	high downfoce
Manifold:	
Wing Height:	high
Gap to tower:	

Tracks:	
Size :	medium
Traction:	medium-high grip
Surface:	
Type:	
Fuel:	