

# RTXE.1

NEW GENERATION RC CAR

1/8 OFFROAD 4WD ELECTRIC  
RC PROFESSIONAL TRUGGY



INSTRUCTION MANUAL

**WIRC**  
PROFESSIONAL RC CAR

[WWW.WIRCACING.COM](http://WWW.WIRCACING.COM)





## INTRODUCTION

RTXE is a new generation high quality 1/8 scale electric off-road buggy.  
RTXE is supplied in a box, you can download the Instruction manual from [www.wircracing.com](http://www.wircracing.com)  
Its use is intended for more than 16 years old persons with experience on rc model car field.  
Children and all the persons without this requirement MUST have direct supervision of a knowledgeable adult responsible.

## SAFETY PRECAUTIONS

Instruction Manual MUST be read and fully understood before to start building and operating functions.  
Always keep Instruction Manual in safety place, ready to be consulted for any reference you need.  
Use only original WIRC spare parts.

## GENERAL INFORMATION

Assemble the kit only away from the reach of children.  
Follow the building and operating instructions using the utmost care.  
Don't put any part of your body inside rotating and moving elements as this may cause damage or serious injury.  
Check and clean the model before putting it away.  
Don't use your model car in public places or in roads and areas where it could generate conflict with person or vehicular traffic.  
The model car is controlled by radio: you MUST put great care to avoid loss of radio control always keeping a safety margin all around your model in order to prevent any collision.  
Operating frequency: check and be sure it is clear and not shared with anybody at same time; it could cause loss of control of the RC model.  
Always turn on your transmitter before you turn on the receiver in the car and always turn off the receiver before you turn off your transmitter.  
Keep the wheels of the model off the ground when checking the operation of the radio equipment.  
Disconnect the battery pack before storing your model.

## WARRANTY

WIRC guarantees this model kit to be free from defects in both material and workmanship within 30 days of purchase.  
The total monetary value under warranty will in no case exceed the cost of the original kit purchased.  
This warranty doesn't cover any components damaged by use or modification or as result of wear.  
Part or parts missing from this kit must be reported within 30 days of purchase.  
No part or parts will be sent under warranty without proof of purchase.  
If you find a defective or missing part, contact the local distributor.  
Customer service and support will be provided through local hobby store.  
No warranties are expressed or implied that cover damage caused by what is considered normal use or cover or imply how long any model cars' components or electric components will last before requiring replacement.  
Due to the high performance level of this model car you will need to periodically maintain and replace consumable components; any and all warranty coverage will not cover replacement of any part or component damaged by neglect, abuse or improper or unreasonable use.  
This includes but is not limited to damage from crashing, excessive moisture, improper use or no maintenance or user modifications which compromise the integrity of components.  
Warranty will not cover components that are considered consumable on RC model car.  
WIRC doesn't pay nor refund on any component sent from WIRC or its distributor for warranty.  
WIRC reserves the right to make final determination of the warranty status of any component or part  
Use only original WIRC spare part:

## CUSTOMER SUPPORT

Please don't hesitate to contact WIRC support at [info@wircracing.com](mailto:info@wircracing.com) for any problem or question.  
Also kindly visit our website [www.wircracing.com](http://www.wircracing.com) to find last updates, set-up information, option parts and other information.

### World racing car s.r.l.

Via Meucci, 23/B  
36040 Brendola (VI)  
ITALY

Phone: 0039 0444 401138  
fax: 0039 0444 401139  
E-mail: [info@wircracing.com](mailto:info@wircracing.com)  
Website: [www.wircracing.com](http://www.wircracing.com)



## TECHNICAL INFORMATION

- WHEELS LOCK: Lightweight 17 mm 7075 T6 Nut
- CHASSIS: 3.0 mm Swiss 7075 T6 aluminium
- RADIO PLATE: Composite Material
- DRIVETRAIN TYPE: Spring steel CVD Driveshafts
- FRONT DIFFERENTIAL: Differential Gear
- REAR DIFFERENTIAL: Differential Gear
- SUSPENSION: Pivot ball suspension
- RIDE HEIGHT: Adjustable Front & Rear
- CAMBER: Adjustable Front & Rear
- CASTER: Adjustable Front
- TOE: Adjustable Front & Rear
- ROLL CENTER: Adjustable Front & Rear
- ACKERMANN: Adjustable Front
- ANTI-ROLL BARS: Adjustable Front & Rear

- WIDTH .....400 mm
- WHEEL BASE .....adjustable 365-370 mm.

## ADDITIONAL ITEMS NEEDED FOR COMPLETION (REQUIRED BUT NOT INCLUDED IN THE KIT)



ENGINE



TRANSMITTER



RECEIVER



LOW PROFILE STEERING SERVO



BATTERIES  
FOR TRANSMITTER  
AND RECEIVER



WHEEL - TYRES - INSERTS



2 X 7.4 V  
LIPO BATTERIES

OR



1 X 14.8 V  
LIPO BATTERIE

## TOOLS REQUIRED

THESE TOOLS ARE NOT INCLUDED IN THE KIT BUT ARE REQUIRED FOR PROPER ASSEMBLY



ALLENS:  
1.5 mm  
2 mm  
2.5 mm  
3 mm



SOCKET  
5mm



SIDE CUTTERS



COMBINATION PLIERS



TOOL FOR  
TURNBUCKLES/NUTS



WHEEL NUT TOOL  
17mm



GREASE

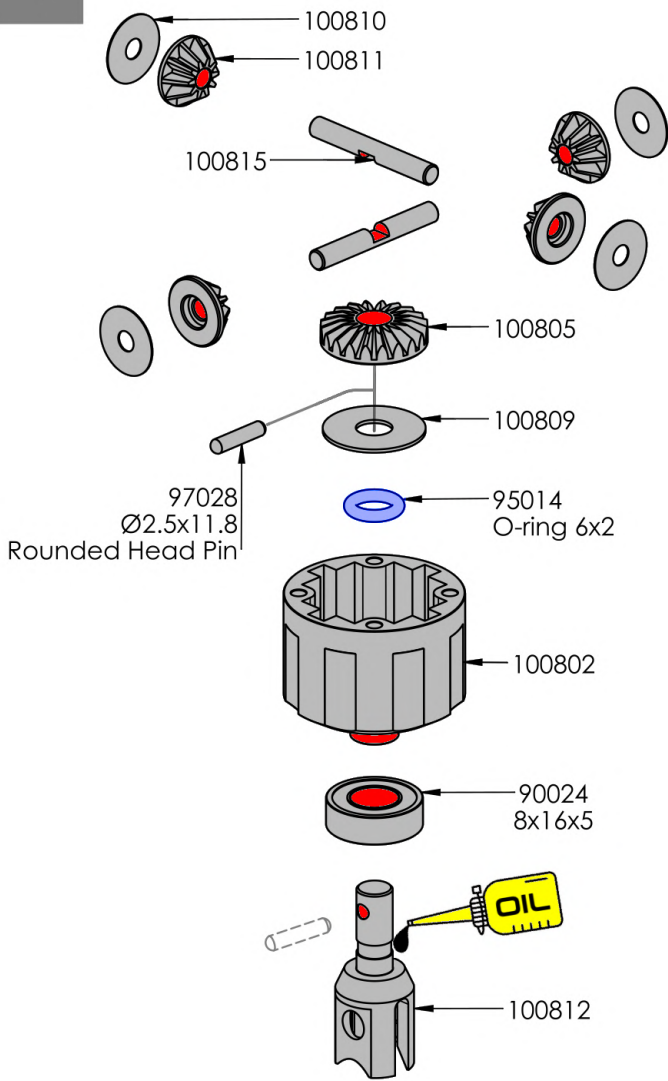


OILS:  
5000 CST  
BEARING OIL

## NOTICE:

THE FOLLOWING ITEMS ARE NEEDED FOR COMPLETION OF THE RTXE; THEY ARE NOT INCLUDED IN THIS KIT (UNLESS NOTED) AND SHOULD BE OBTAINED FROM YOUR LOCAL HOBBY SHOP.  
BE SURE TO READ THE INSTRUCTION COMPLETELY PRIOR TO ASSEMBLY

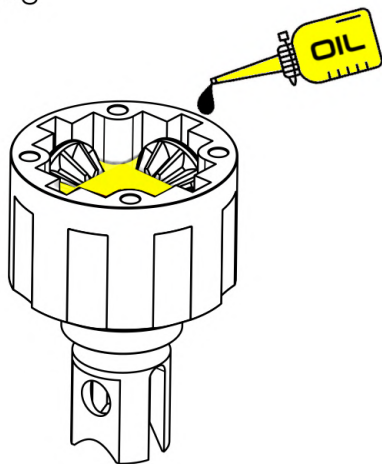
1



2

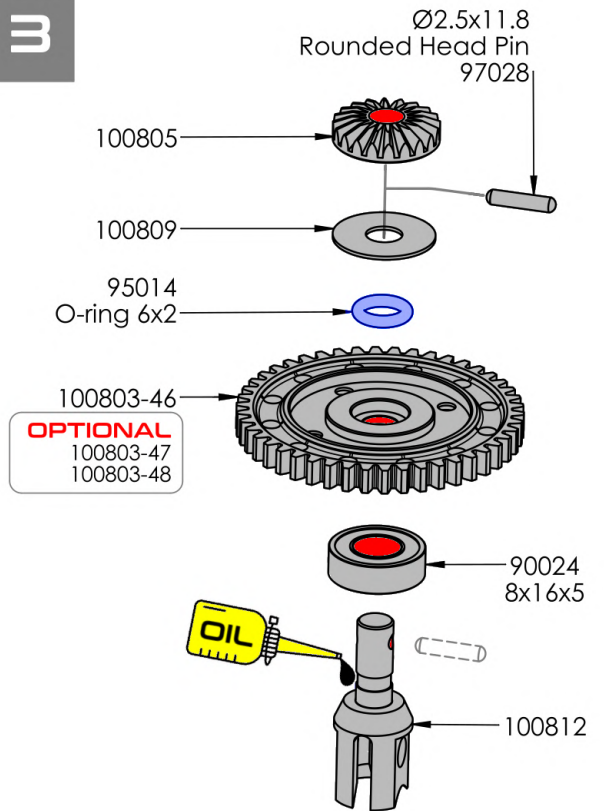
### DIFFERENTIAL OIL :

Type: 7000 cst  
Weight: 3g

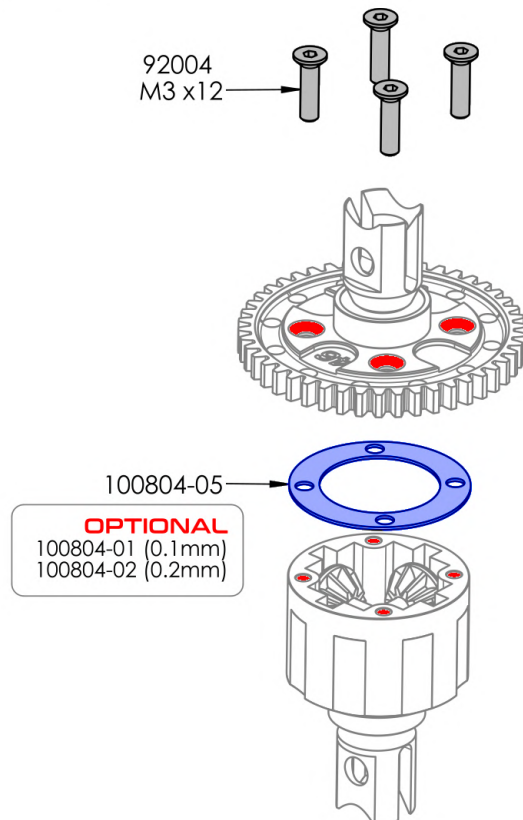


Fill the differential up to the top of the pin. **DO NOT** fill the diff. to the top of the housing.

3

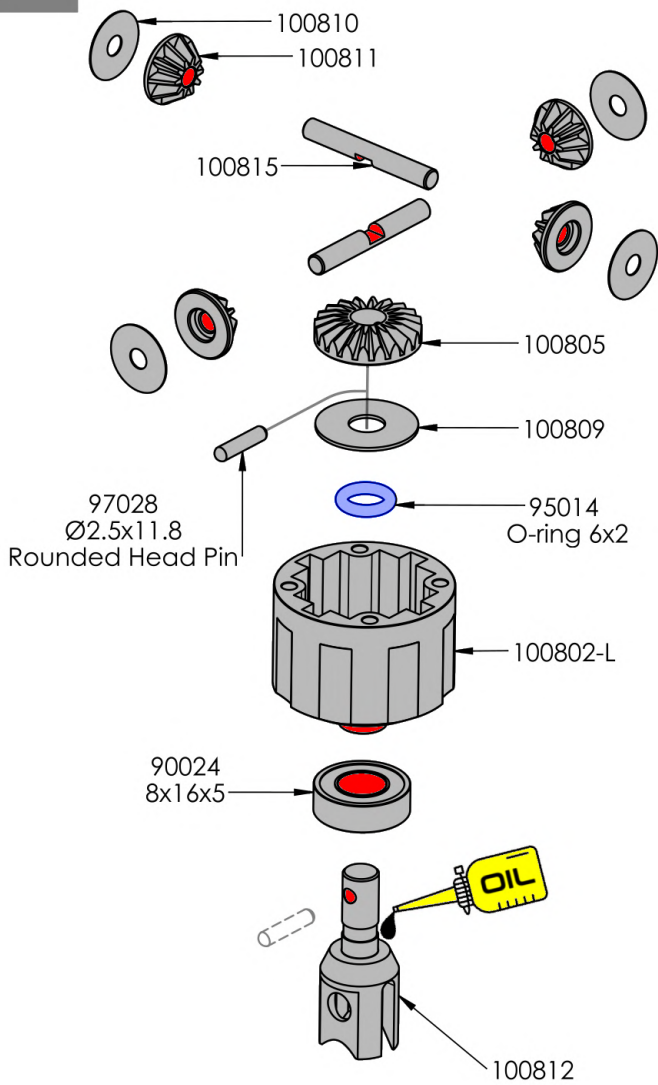


4



## Front Diff. Gear

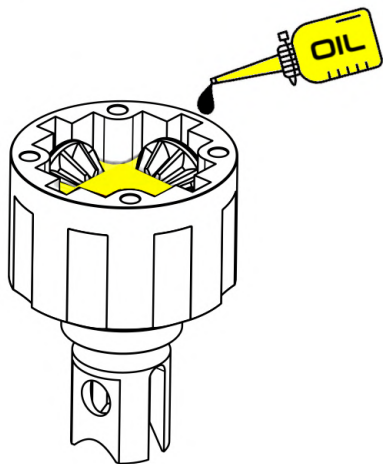
1



2

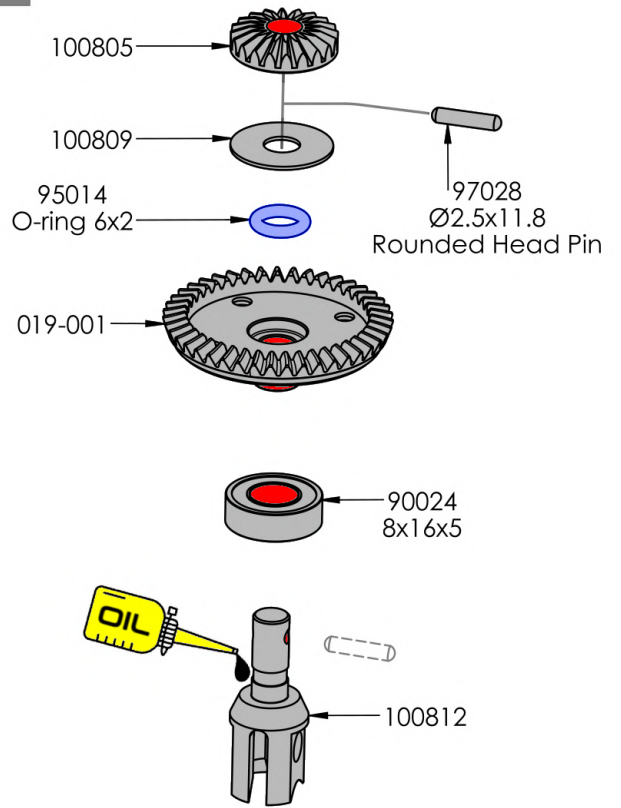
### DIFFERENTIAL OIL :

Type: 7000 cst  
Weight: 3g

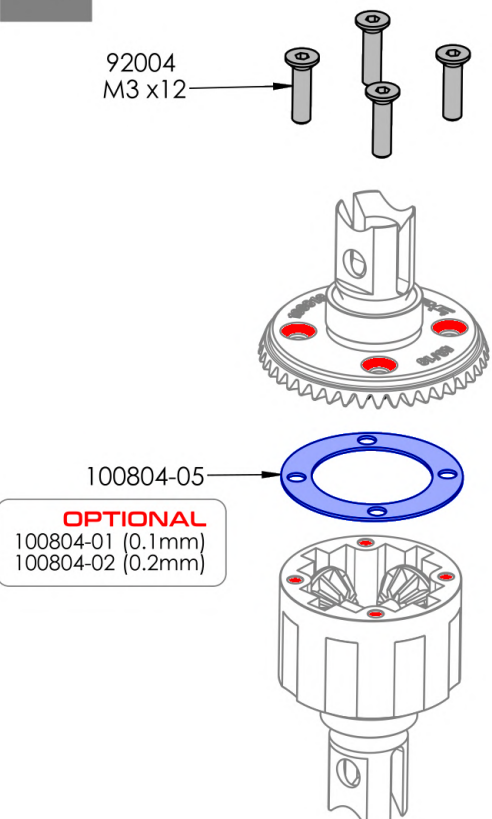


Fill the differential up to the top of the pin. **DO NOT** fill the diff. to the top of the housing.

3



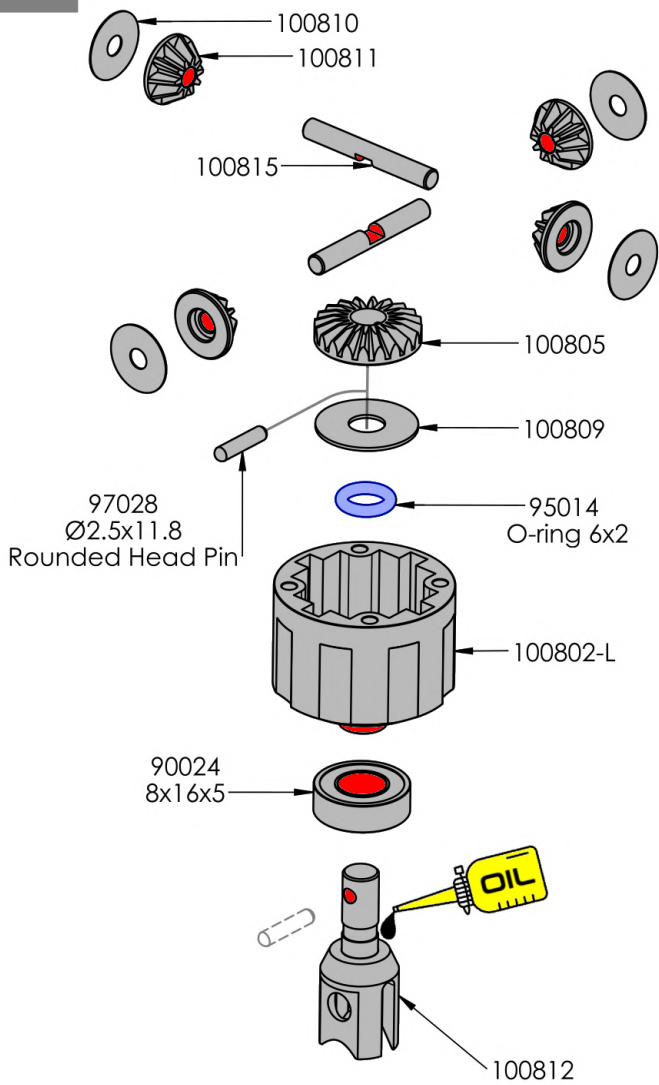
4



**OPTIONAL**  
100804-01 (0.1mm)  
100804-02 (0.2mm)

## Rear Diff. Gear

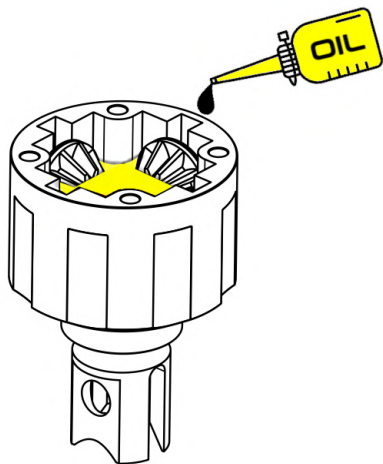
1



2

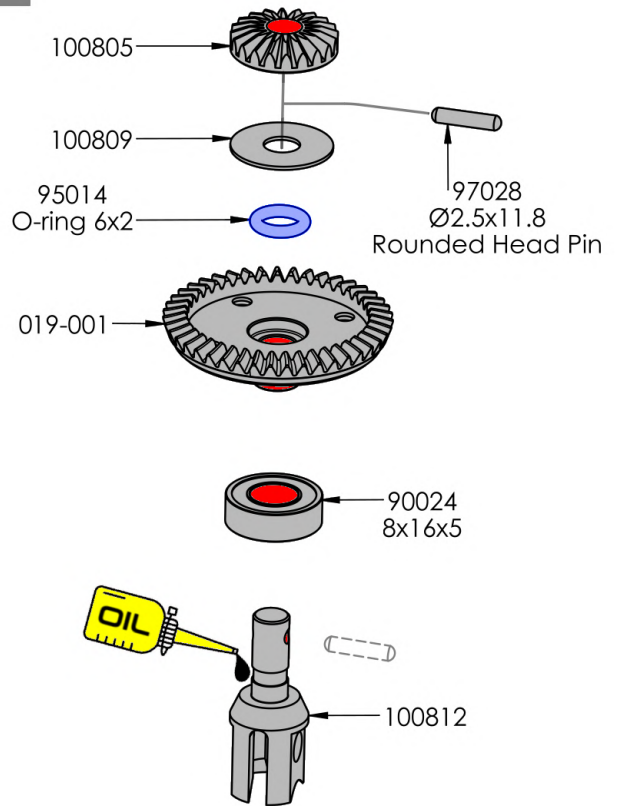
### DIFFERENTIAL OIL :

Type: 7000 cst  
Weight: 3g

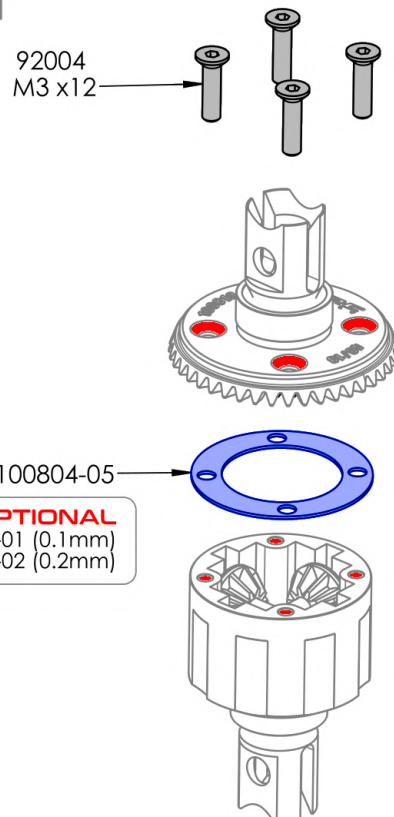


Fill the differential up to the top of the pin. **DO NOT** fill the diff. to the top of the housing.

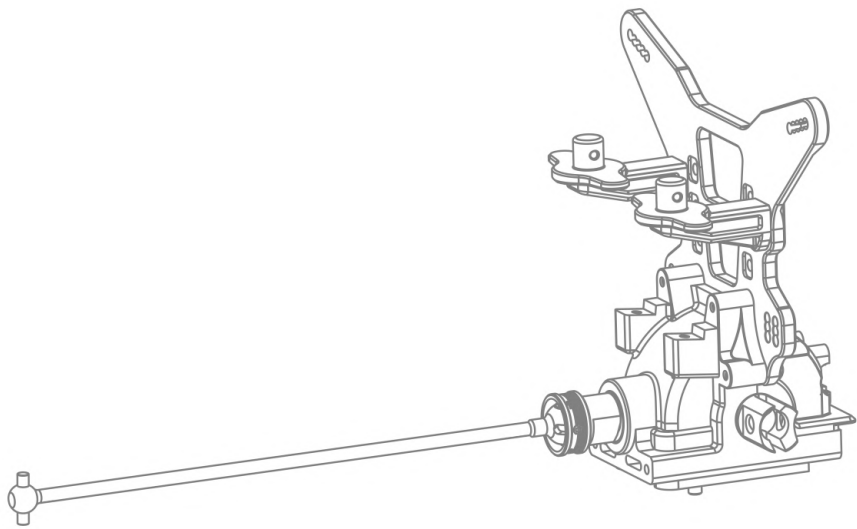
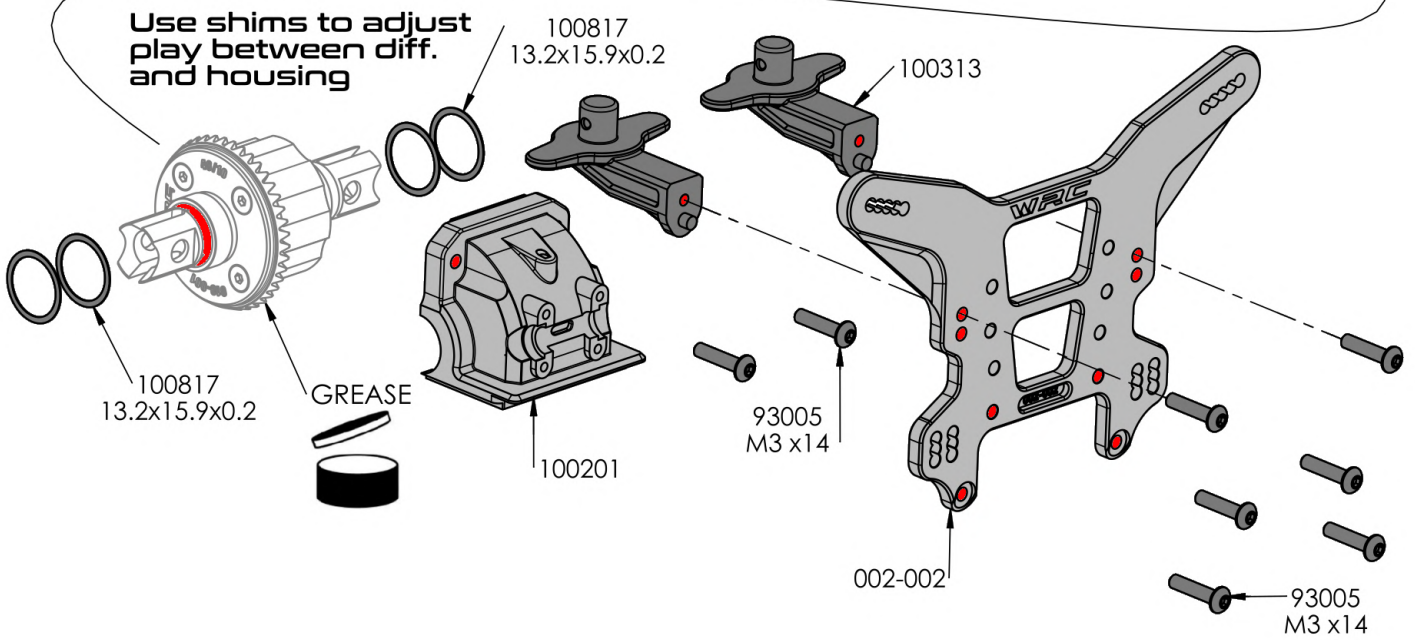
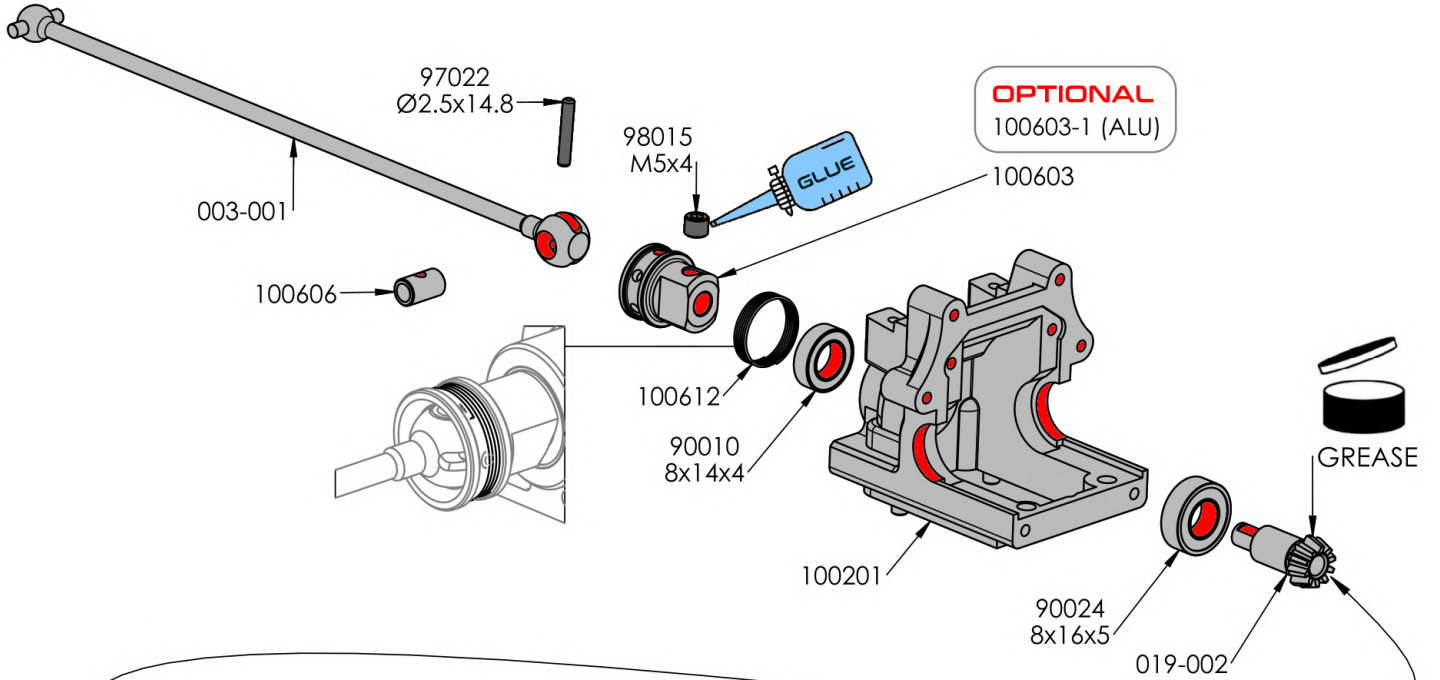
3



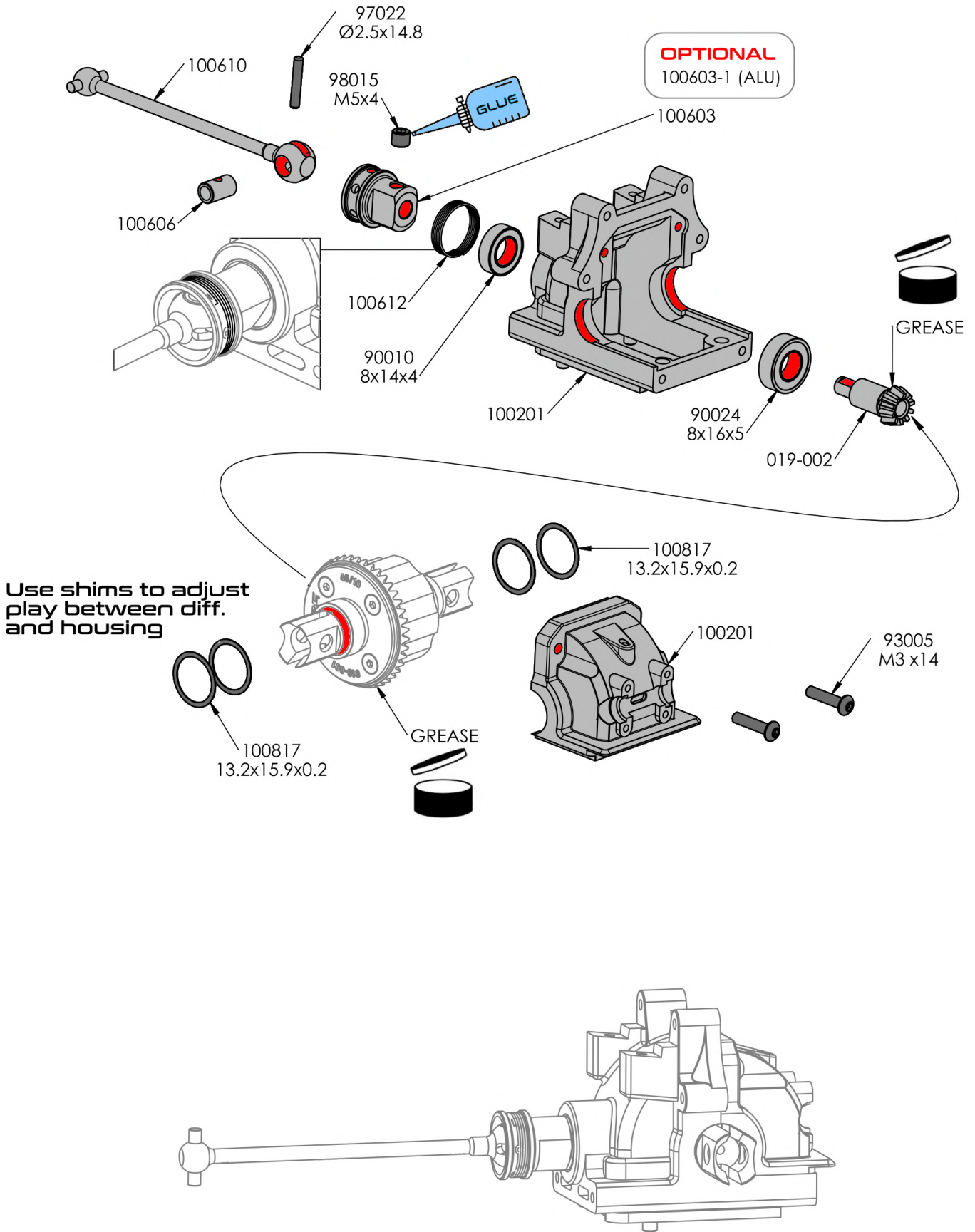
4

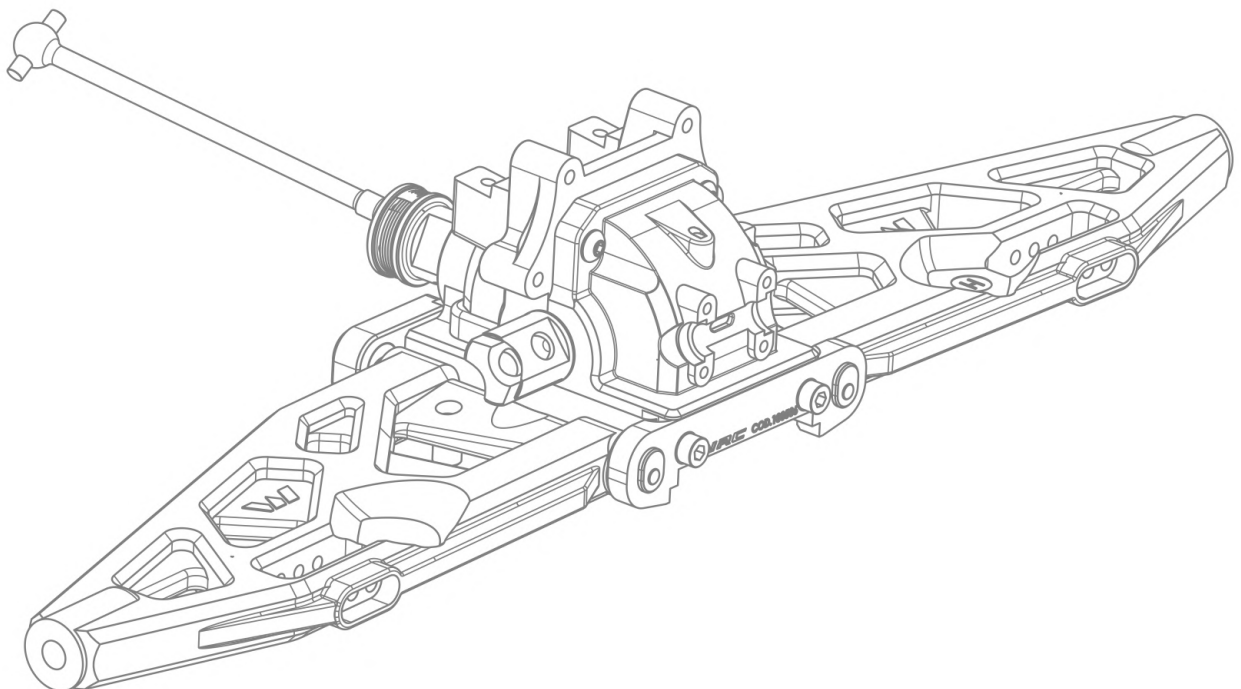
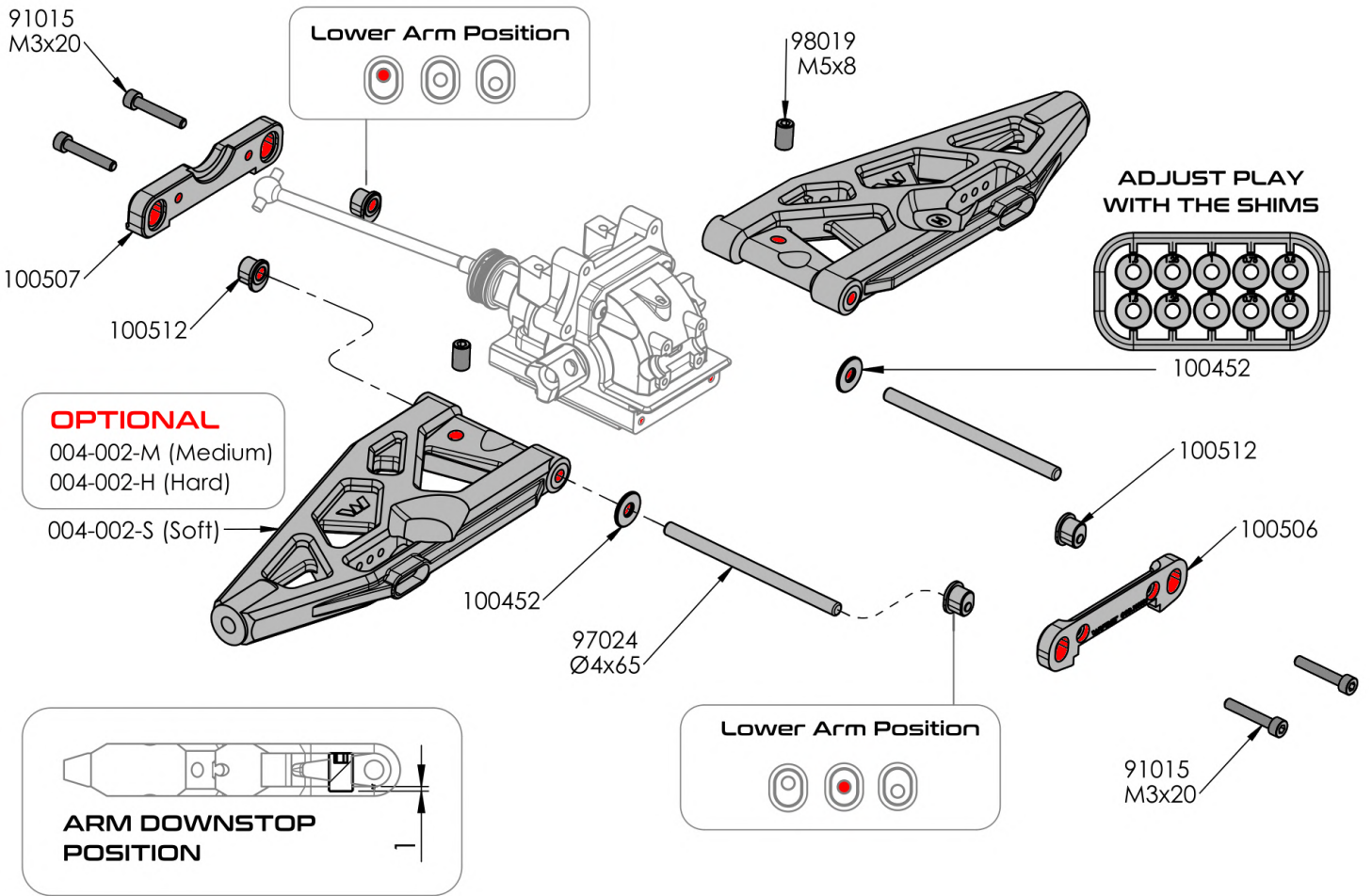


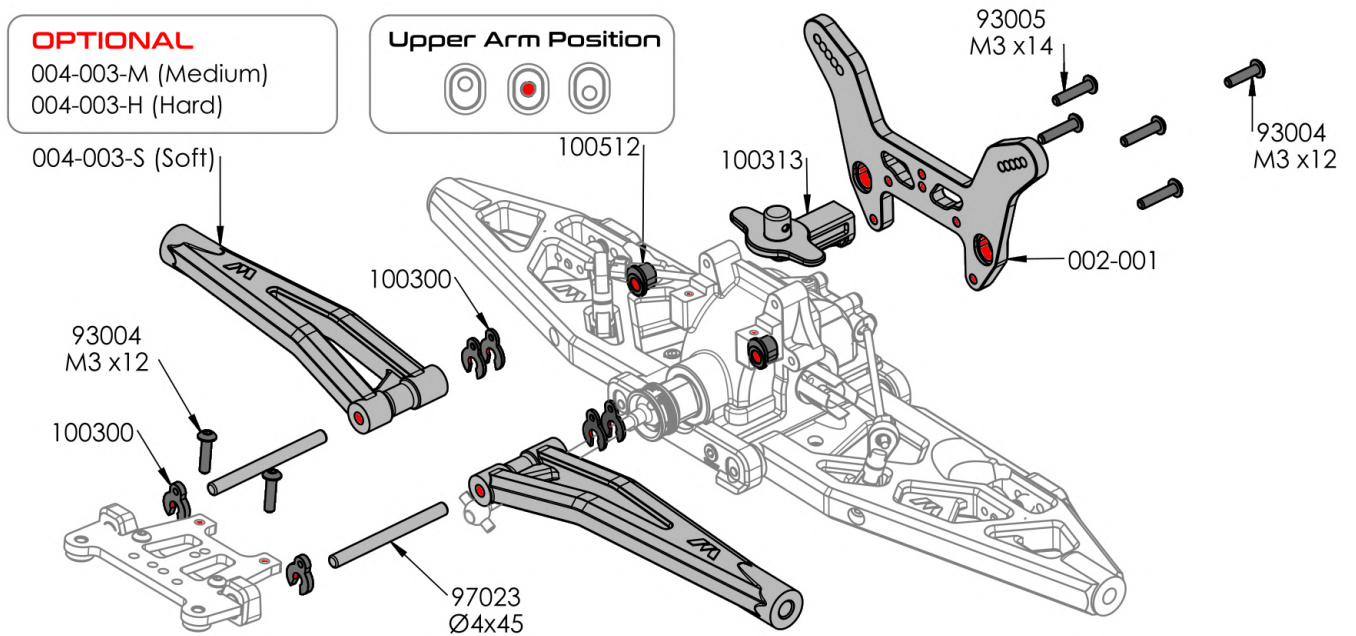
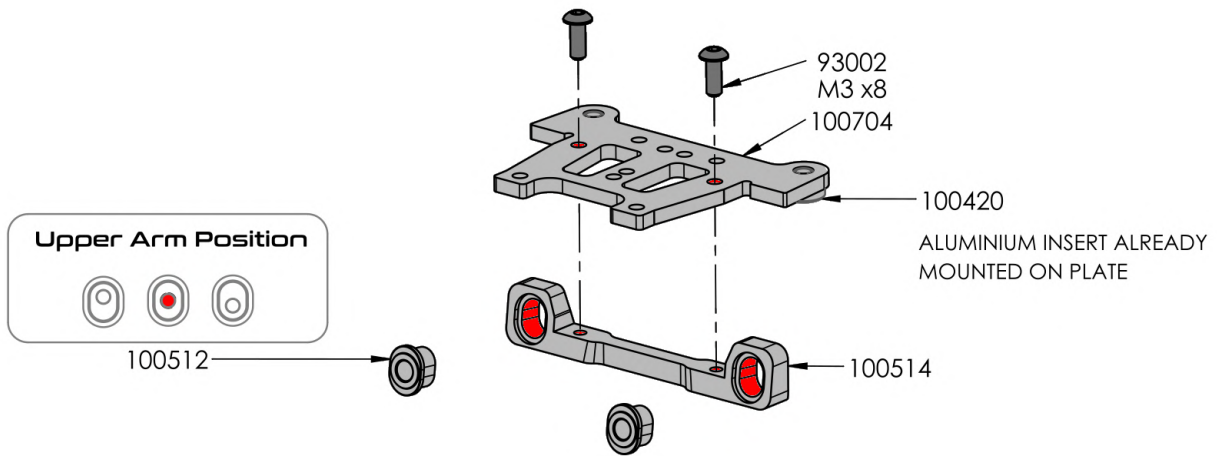
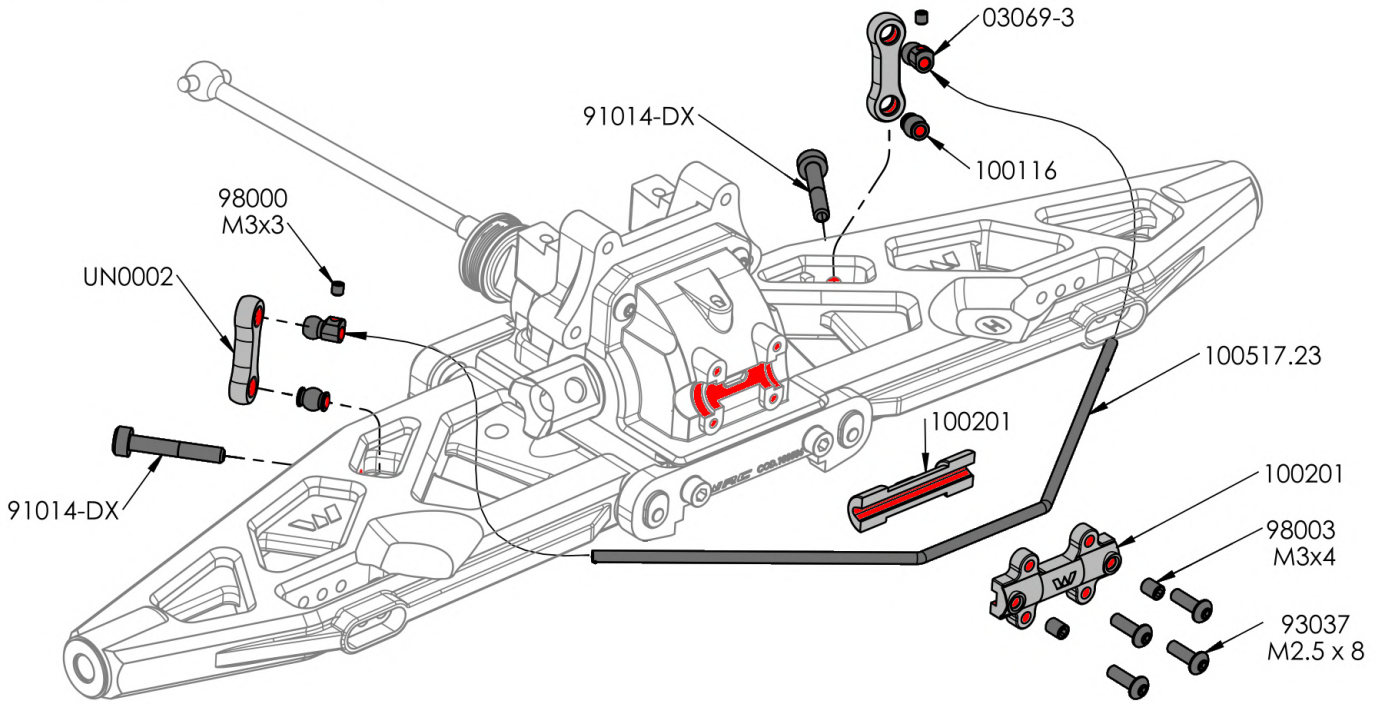
**OPTIONAL**  
100804-01 (0.1mm)  
100804-02 (0.2mm)



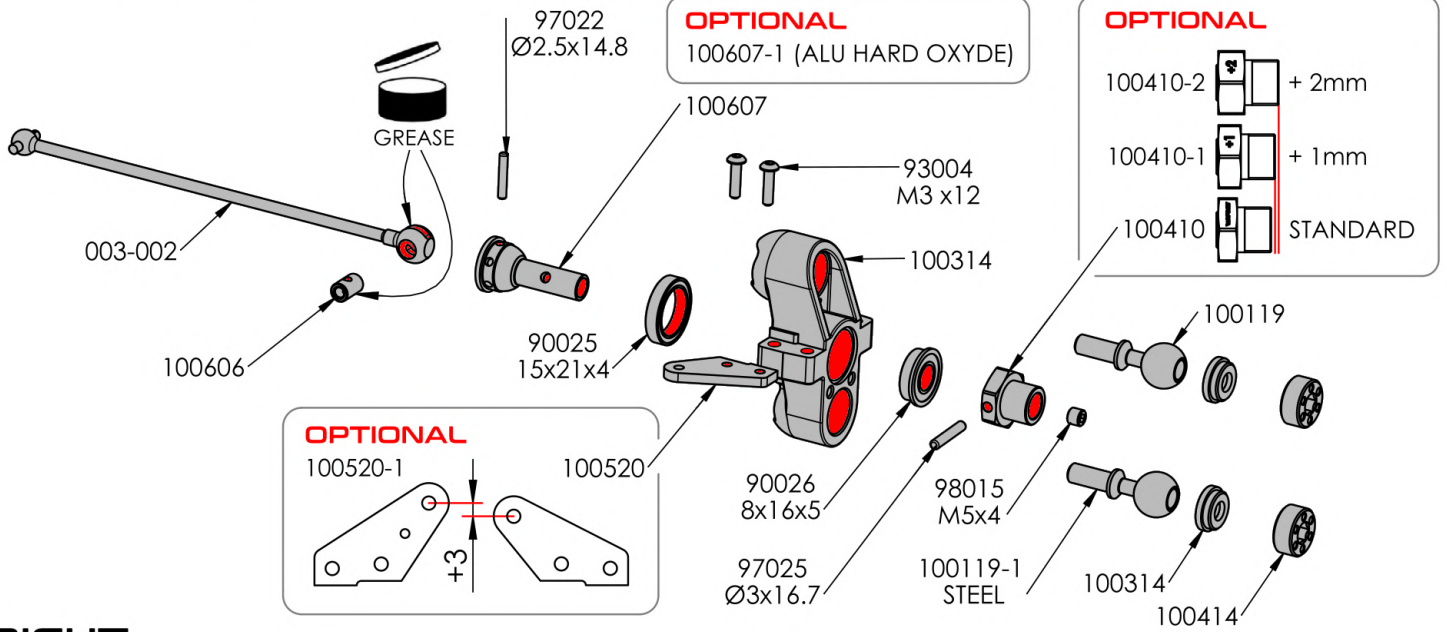






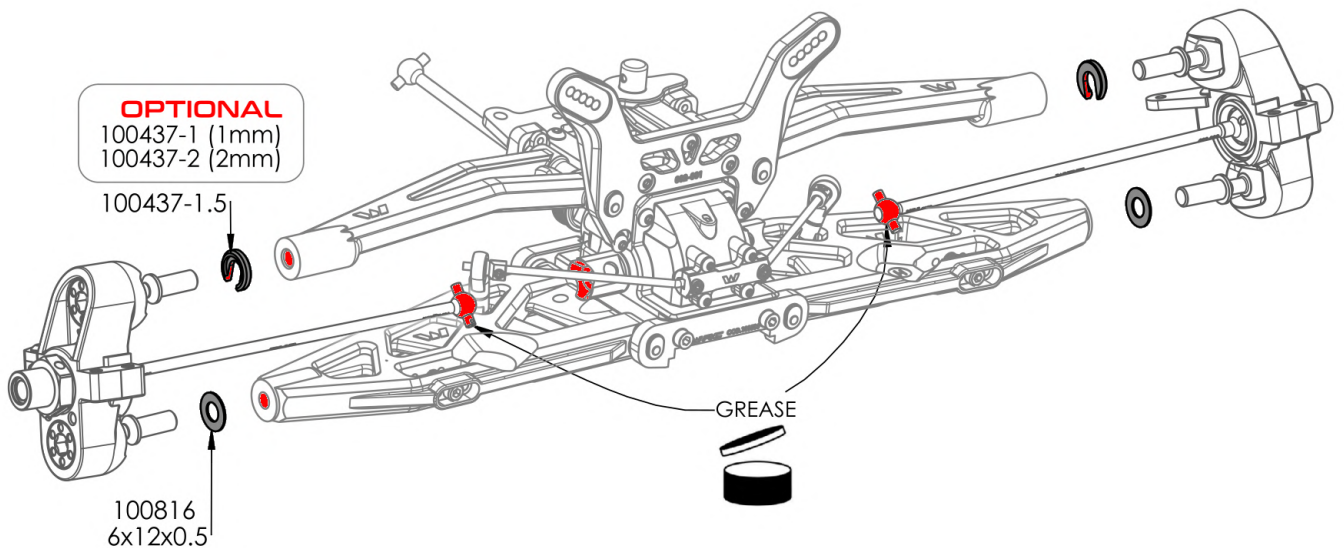
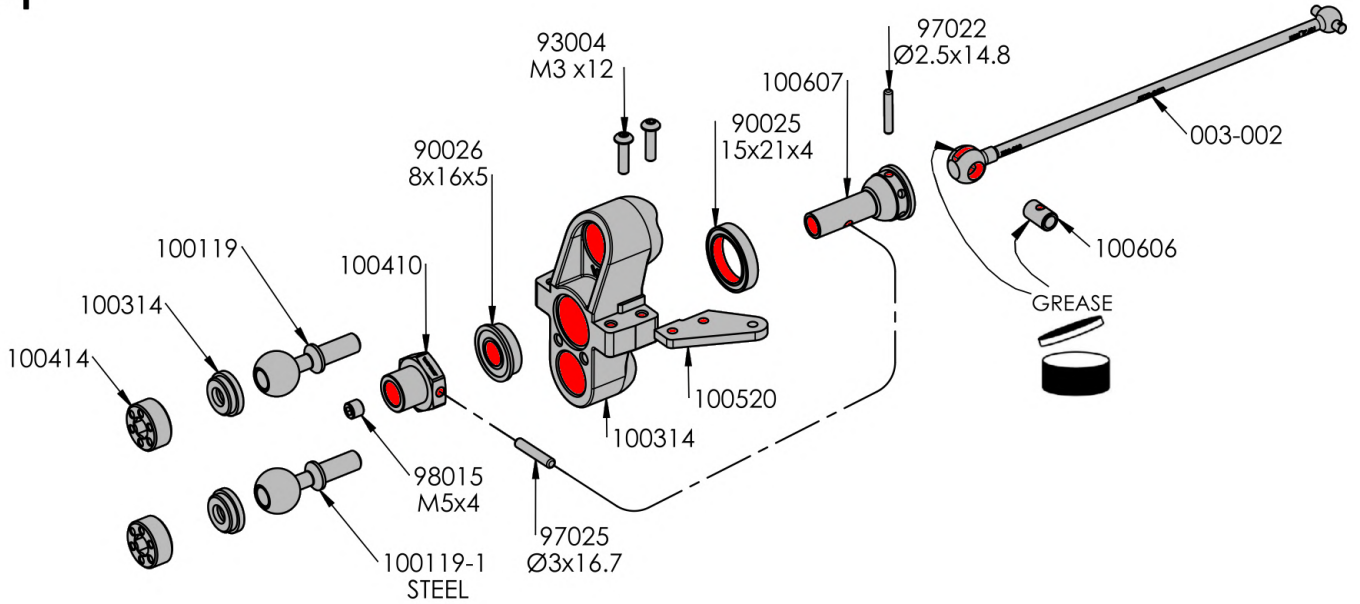


## Front Upright

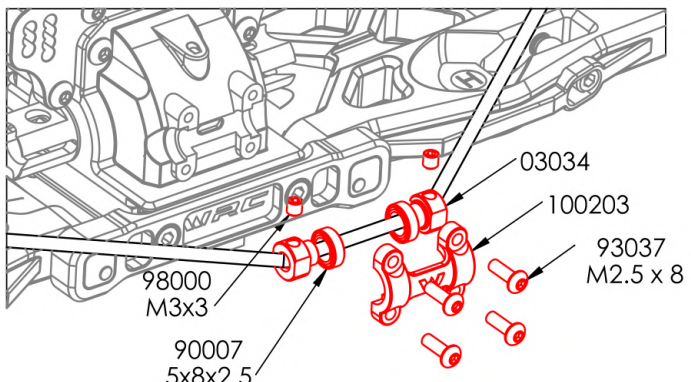
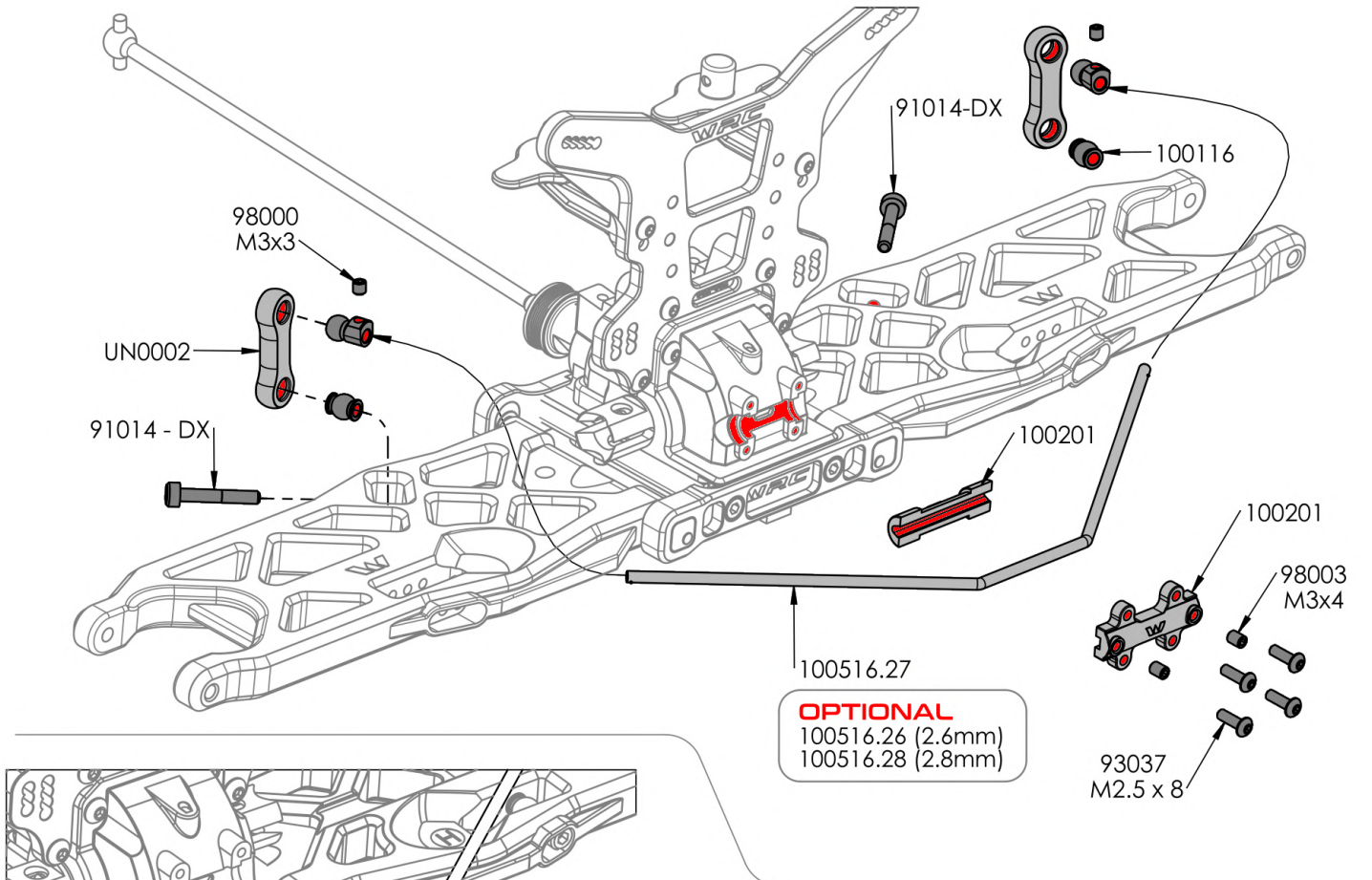
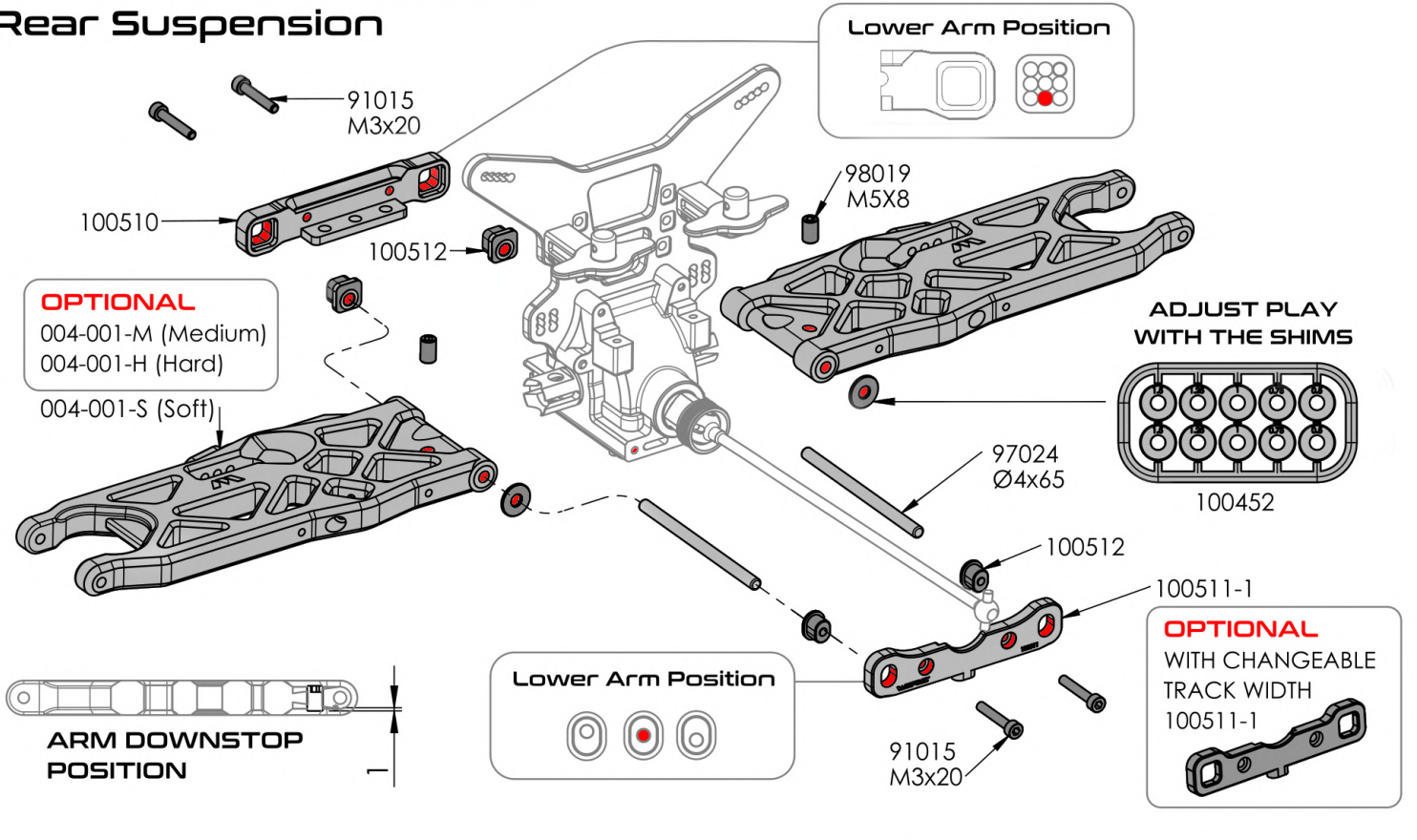


## RIGHT

## LEFT

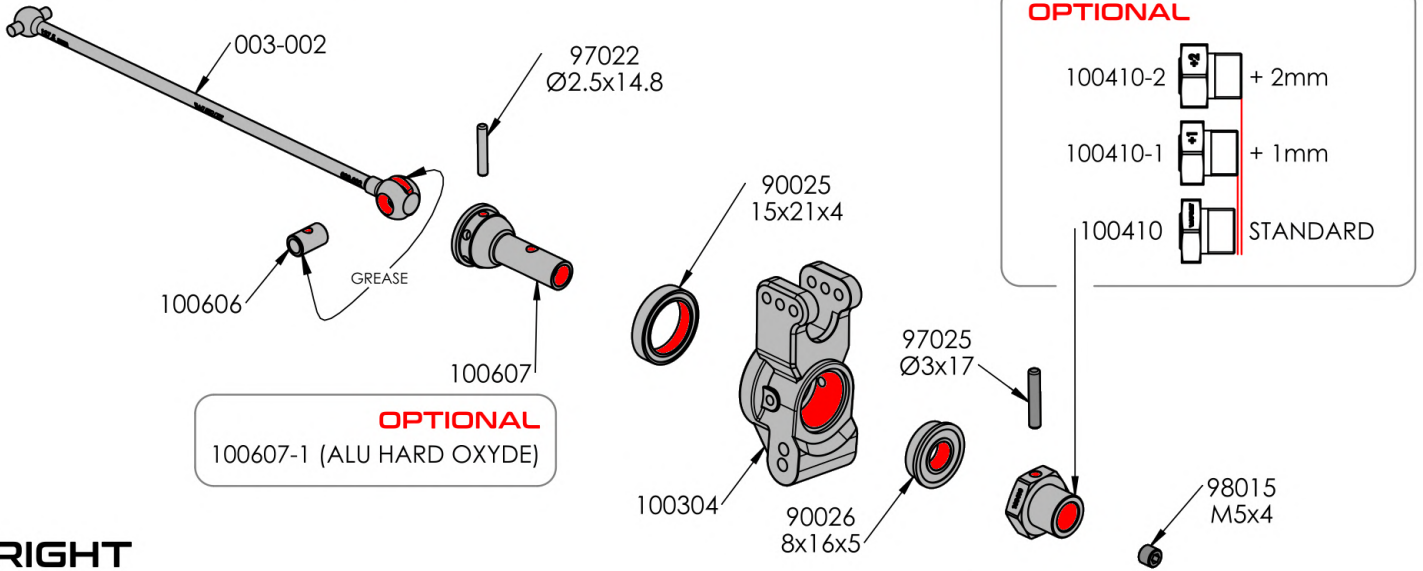


## Rear Suspension



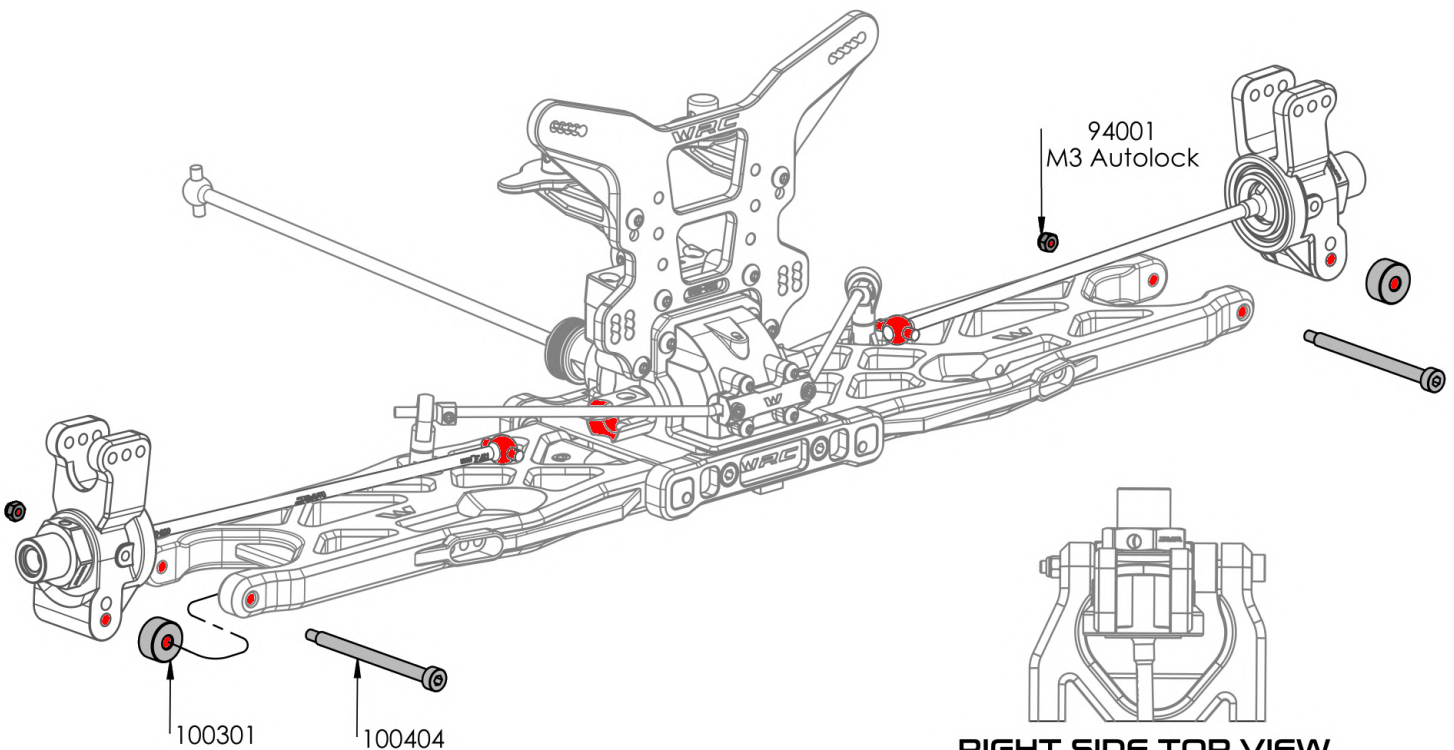
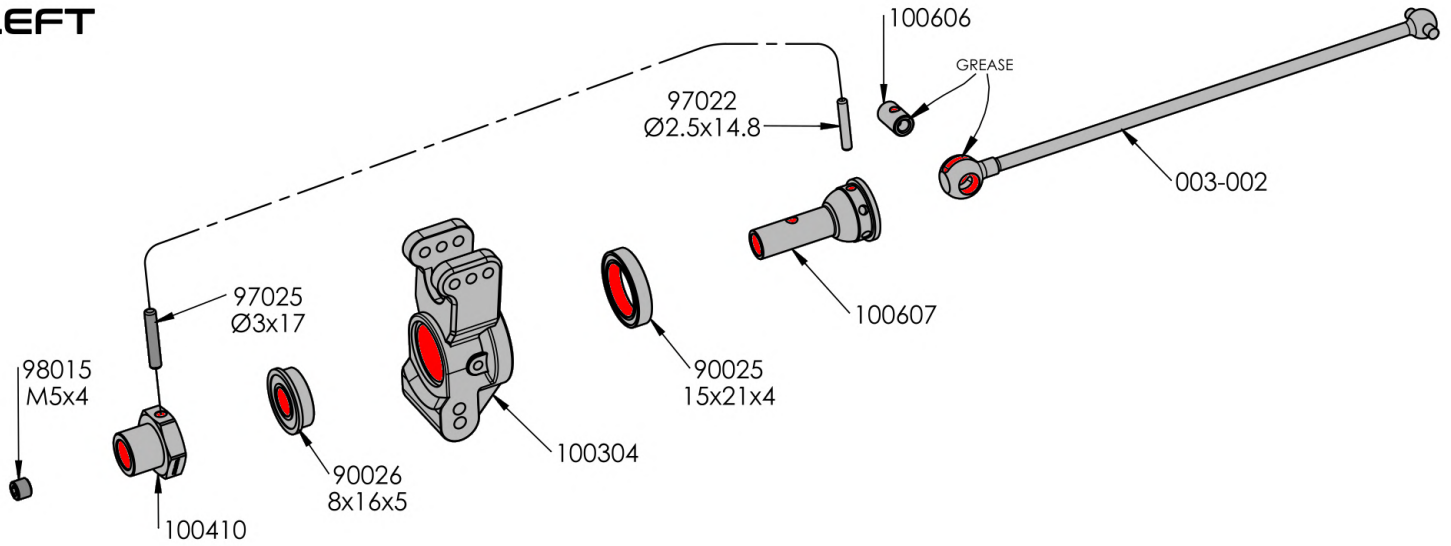
**OPTIONAL**  
Bearing Mounted Anti roll-bar Kit  
Front and Rear

## Rear Suspension



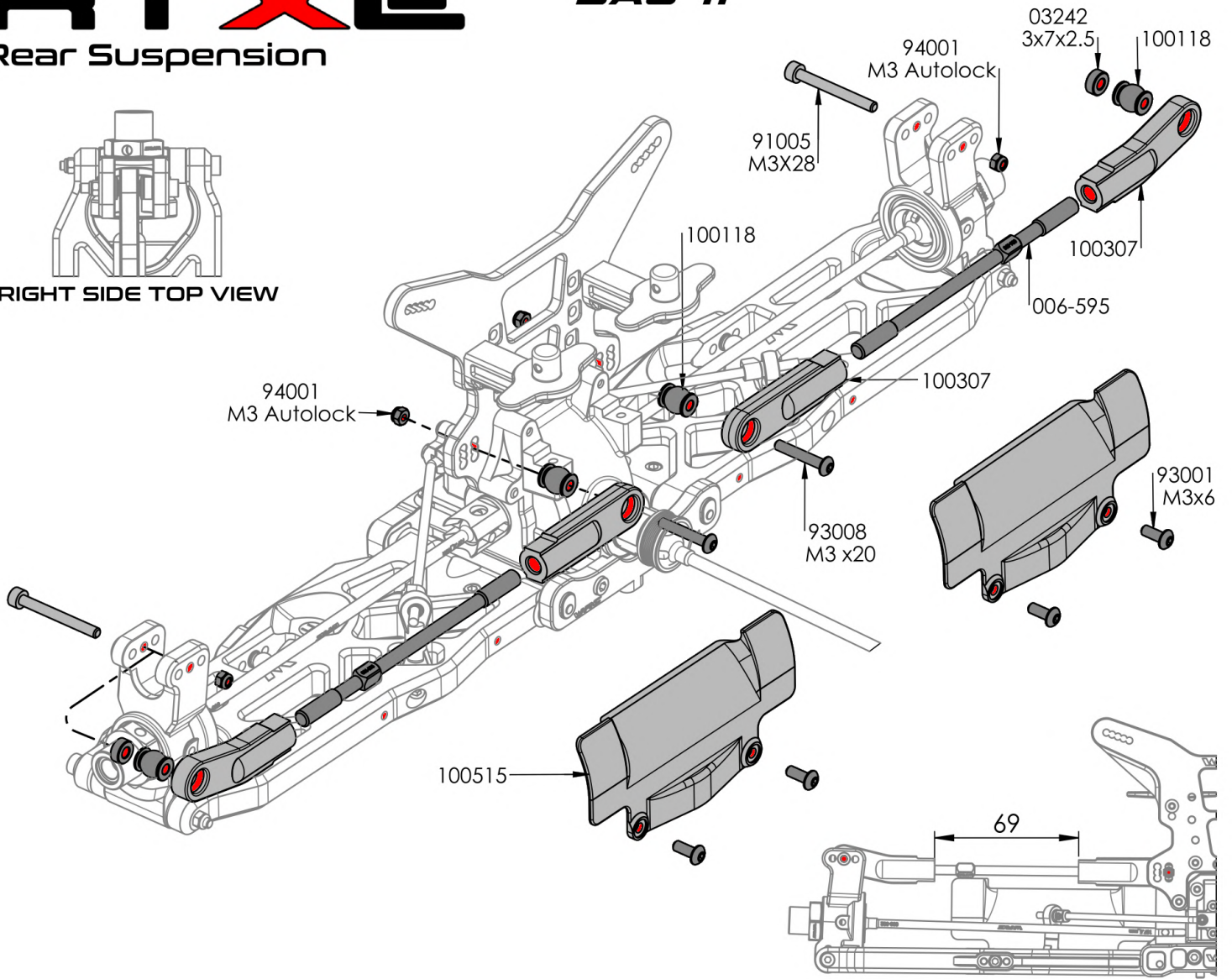
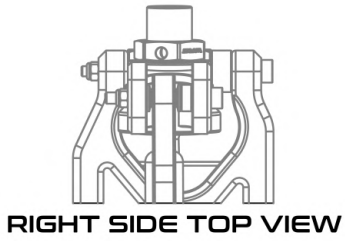
**RIGHT**

**LEFT**

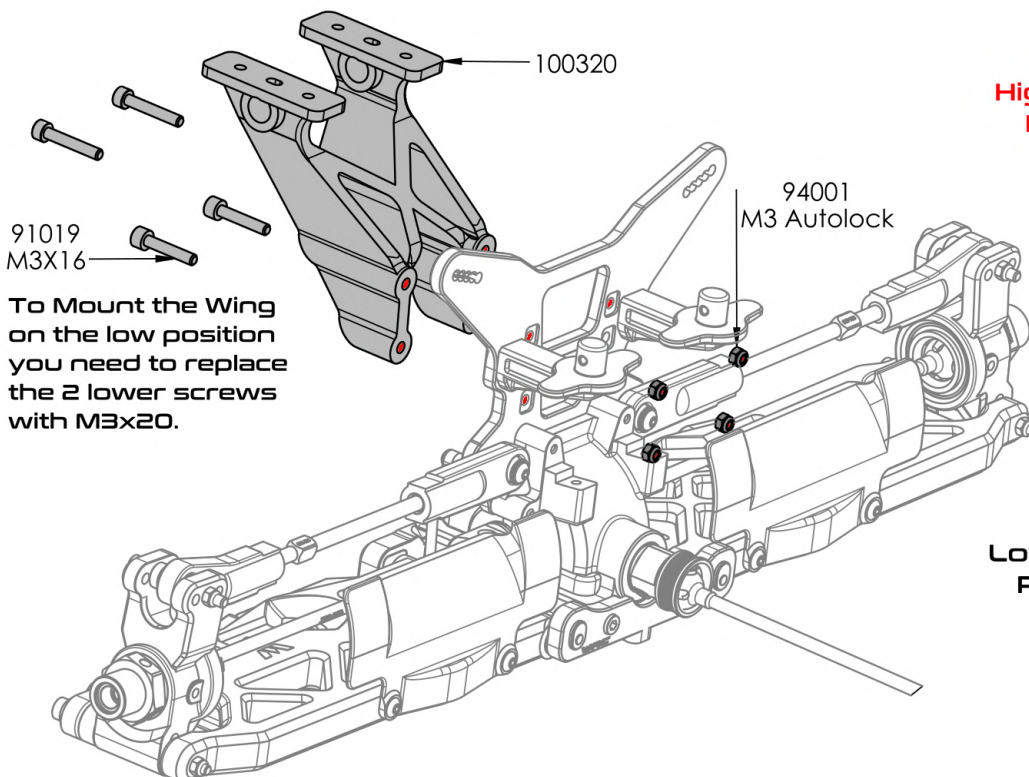


**RIGHT SIDE TOP VIEW**

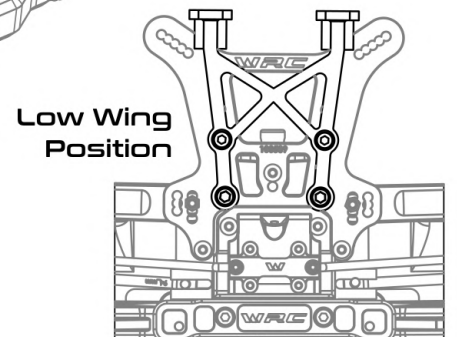
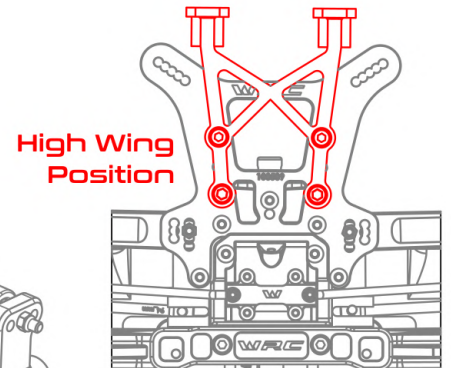
## Rear Suspension

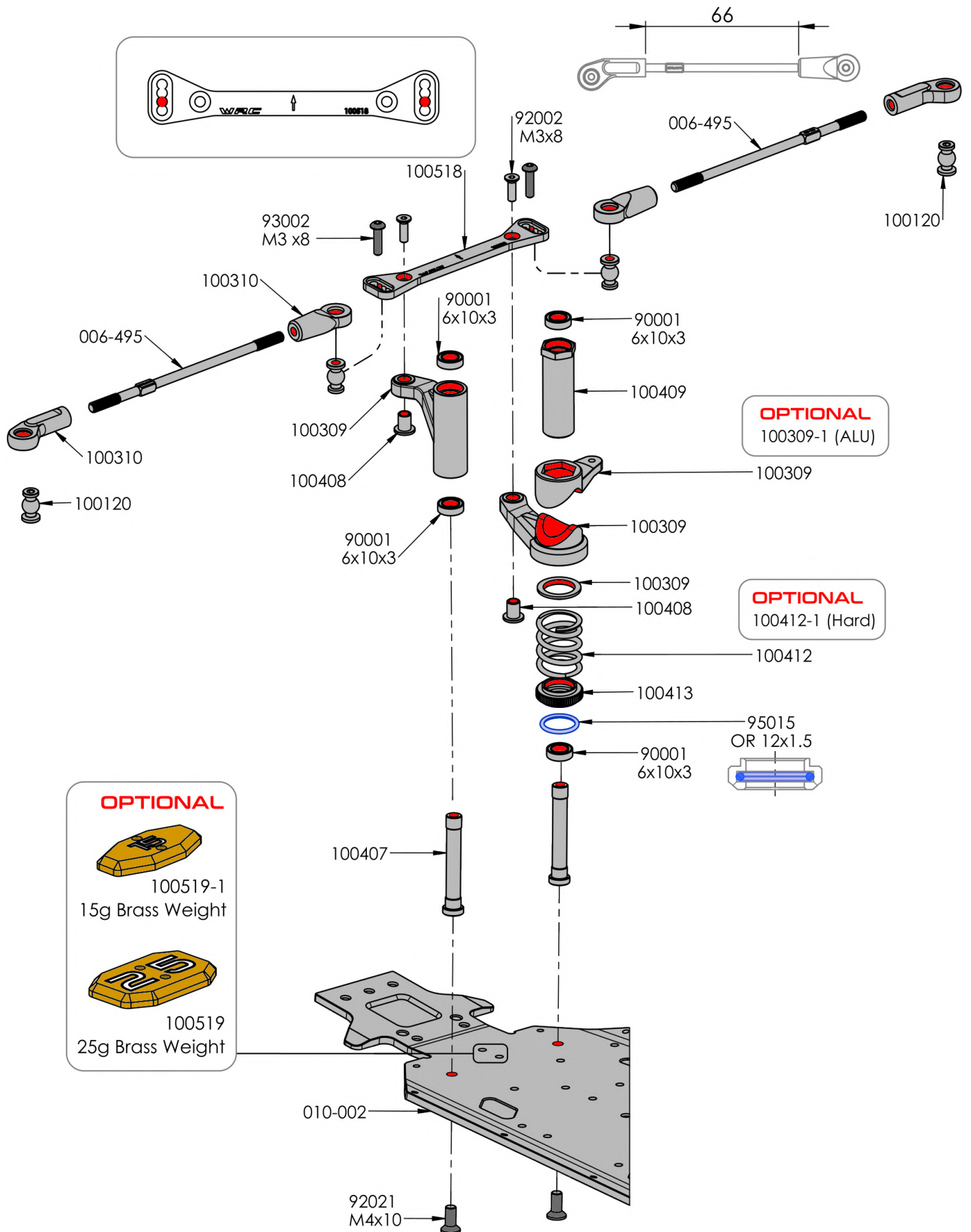


## Rear Wing Support

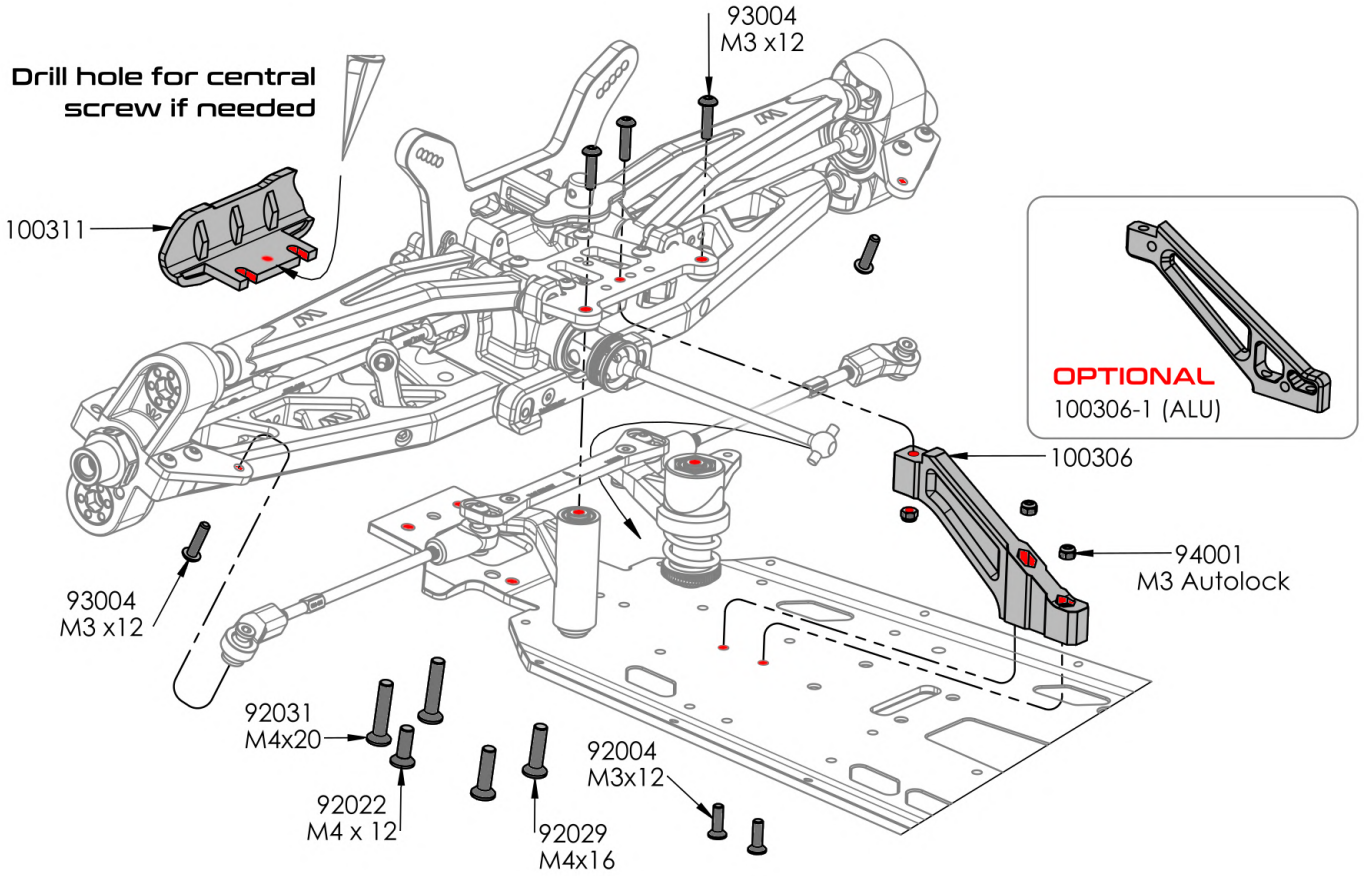


To Mount the Wing on the low position you need to replace the 2 lower screws with M3x20.

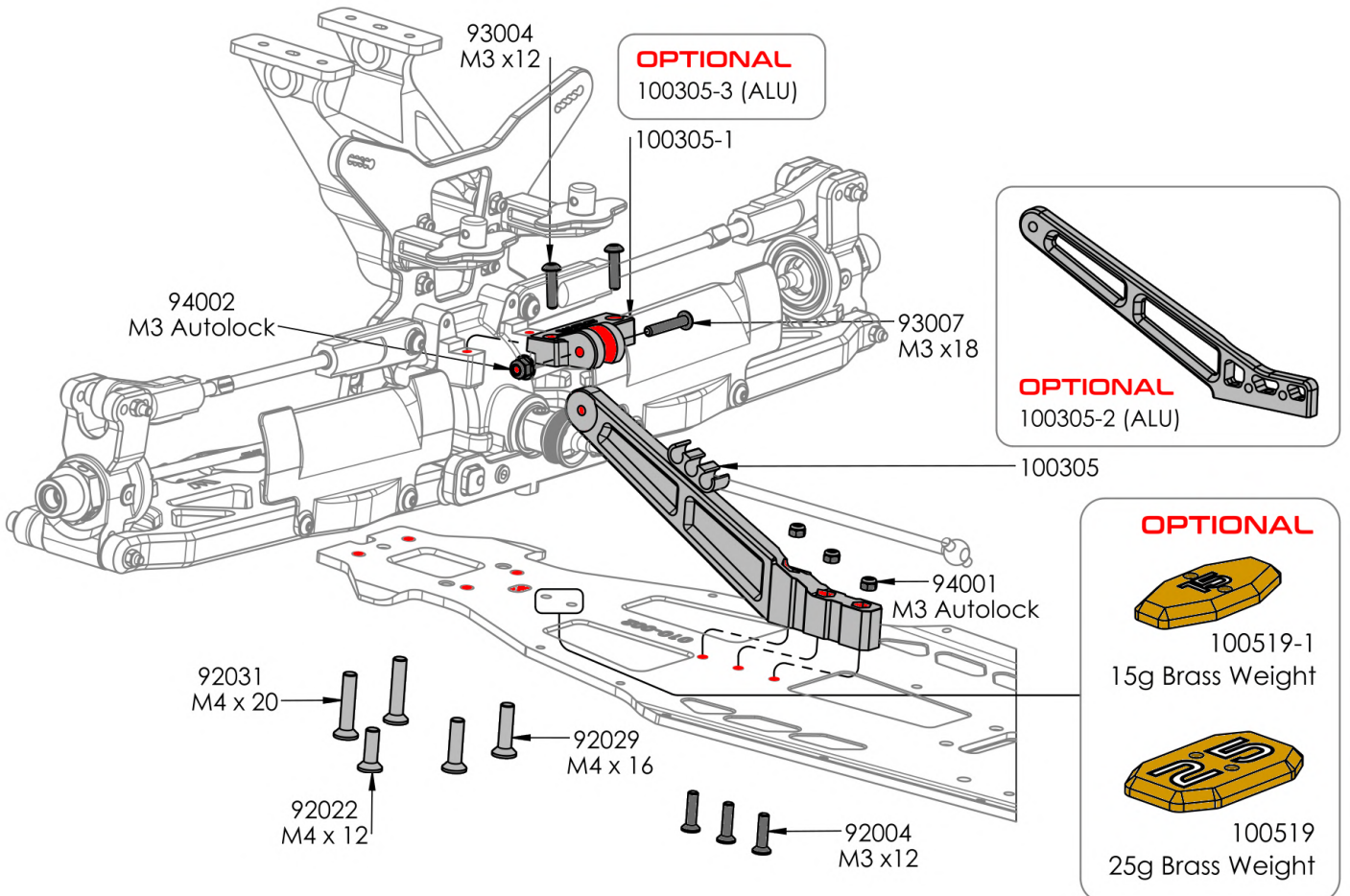




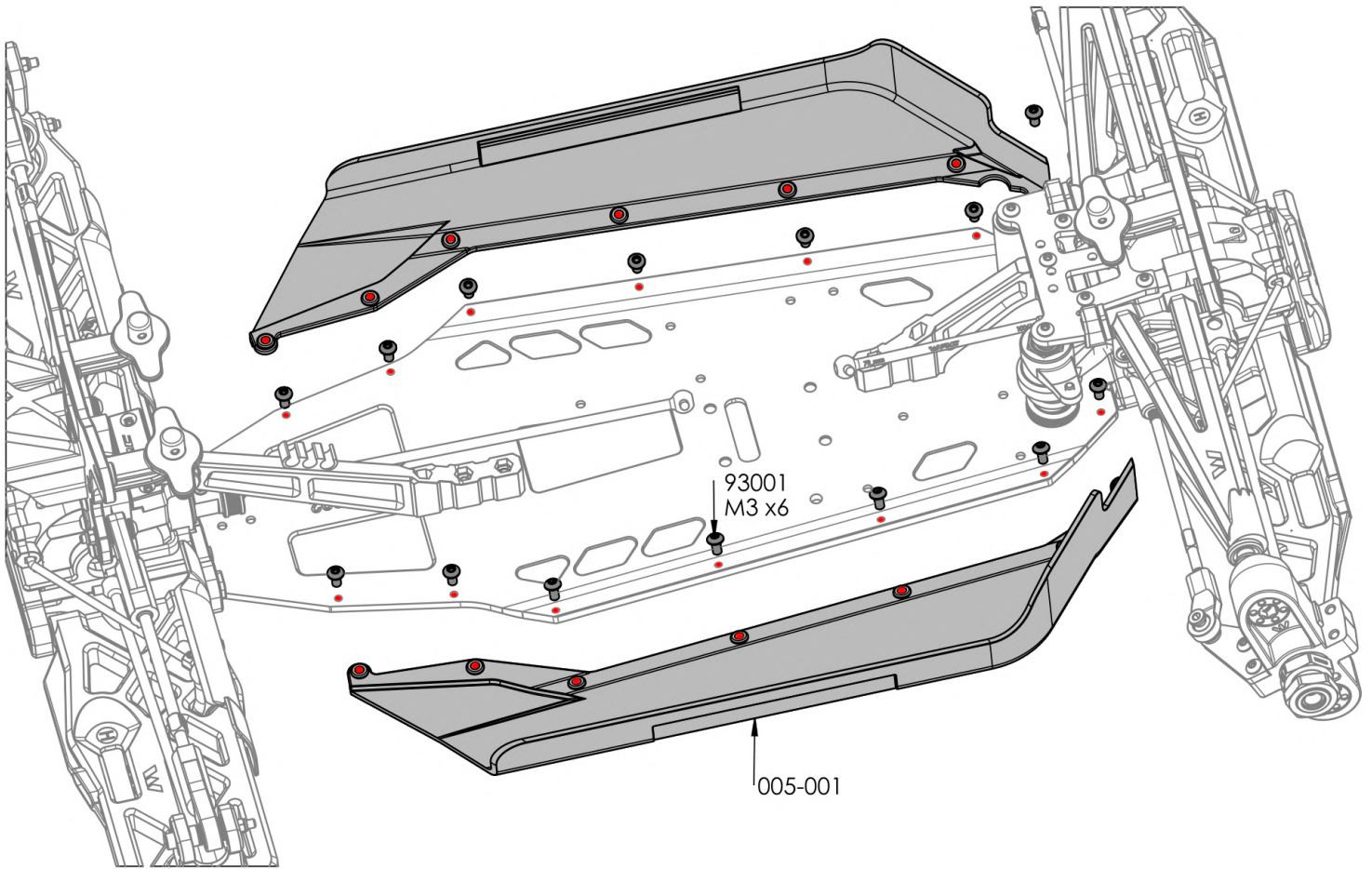




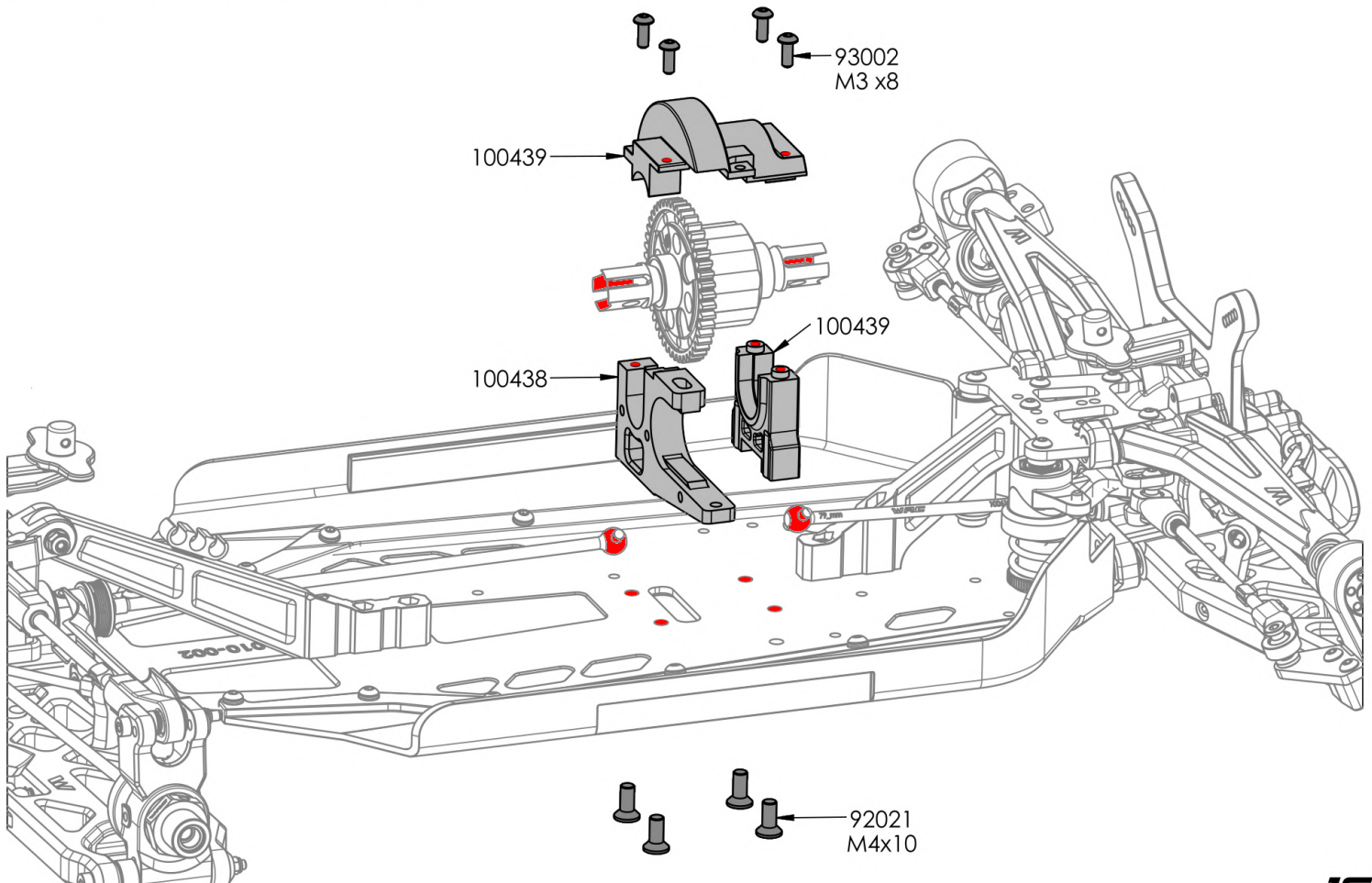
## Rear Assembly

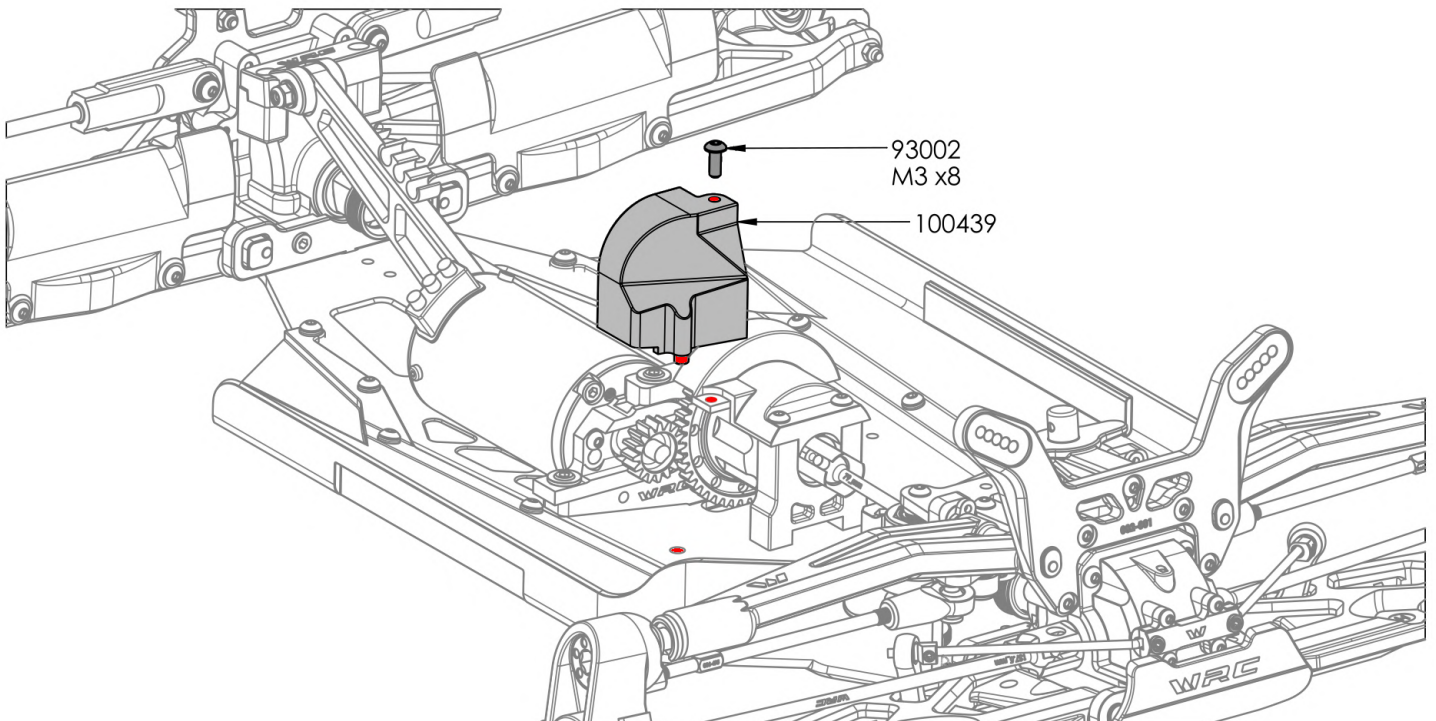
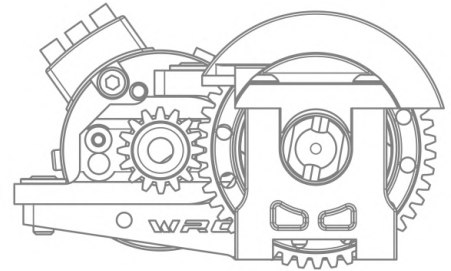
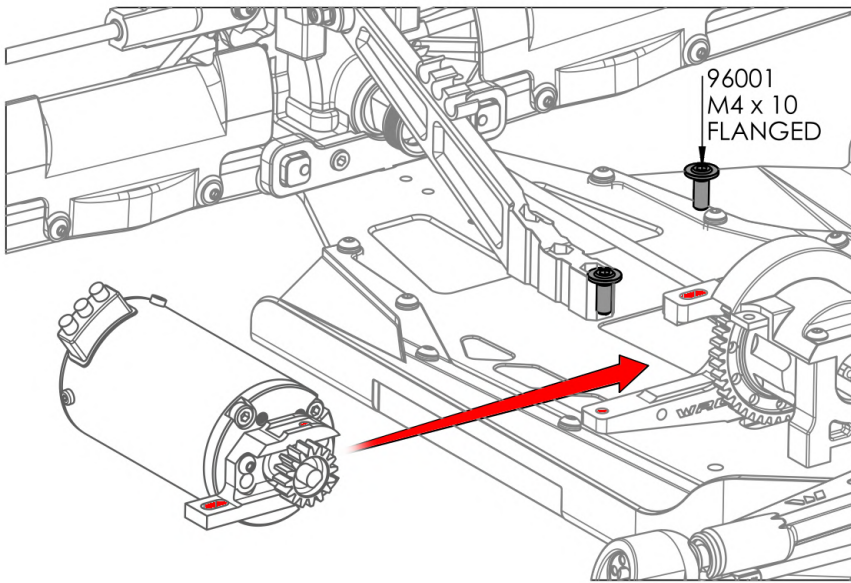
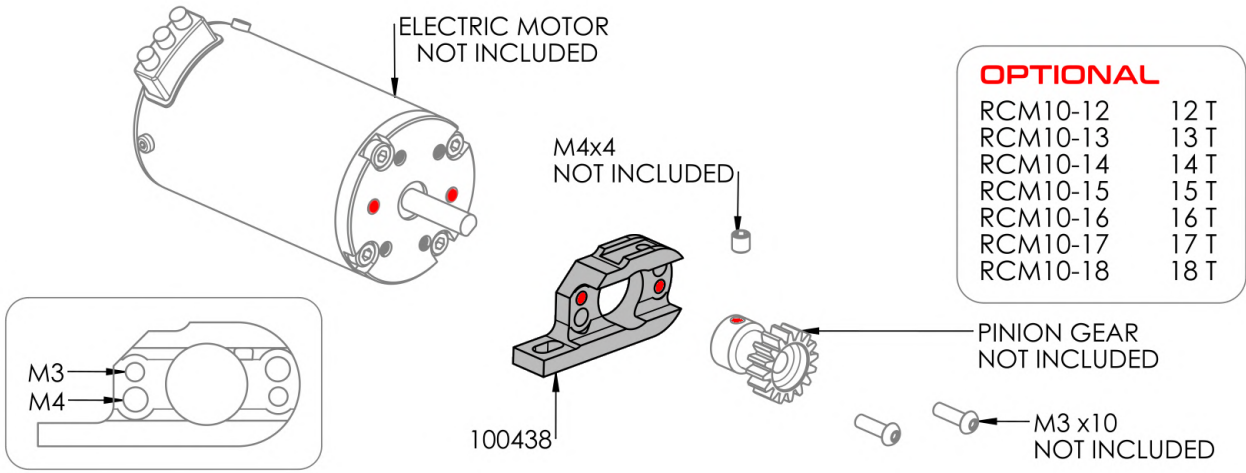


## Side Protection Mount

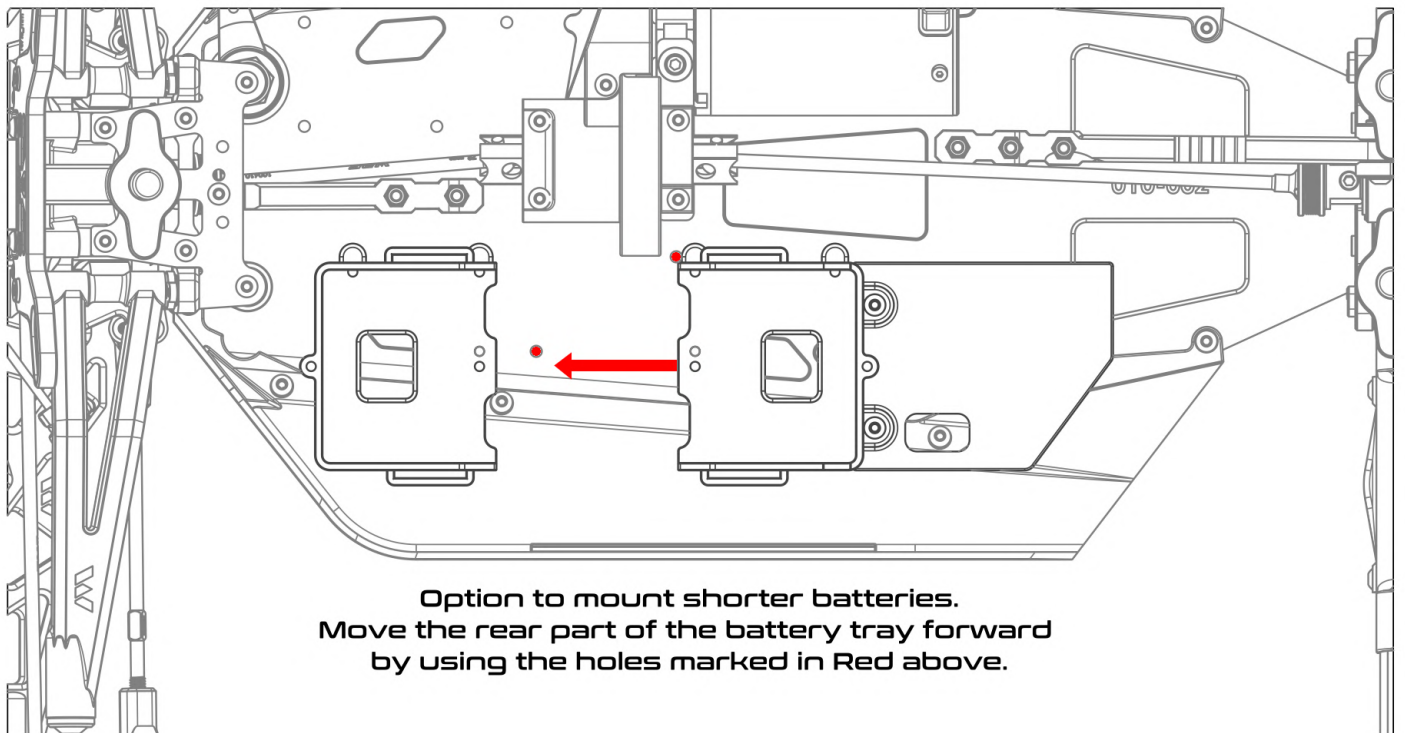
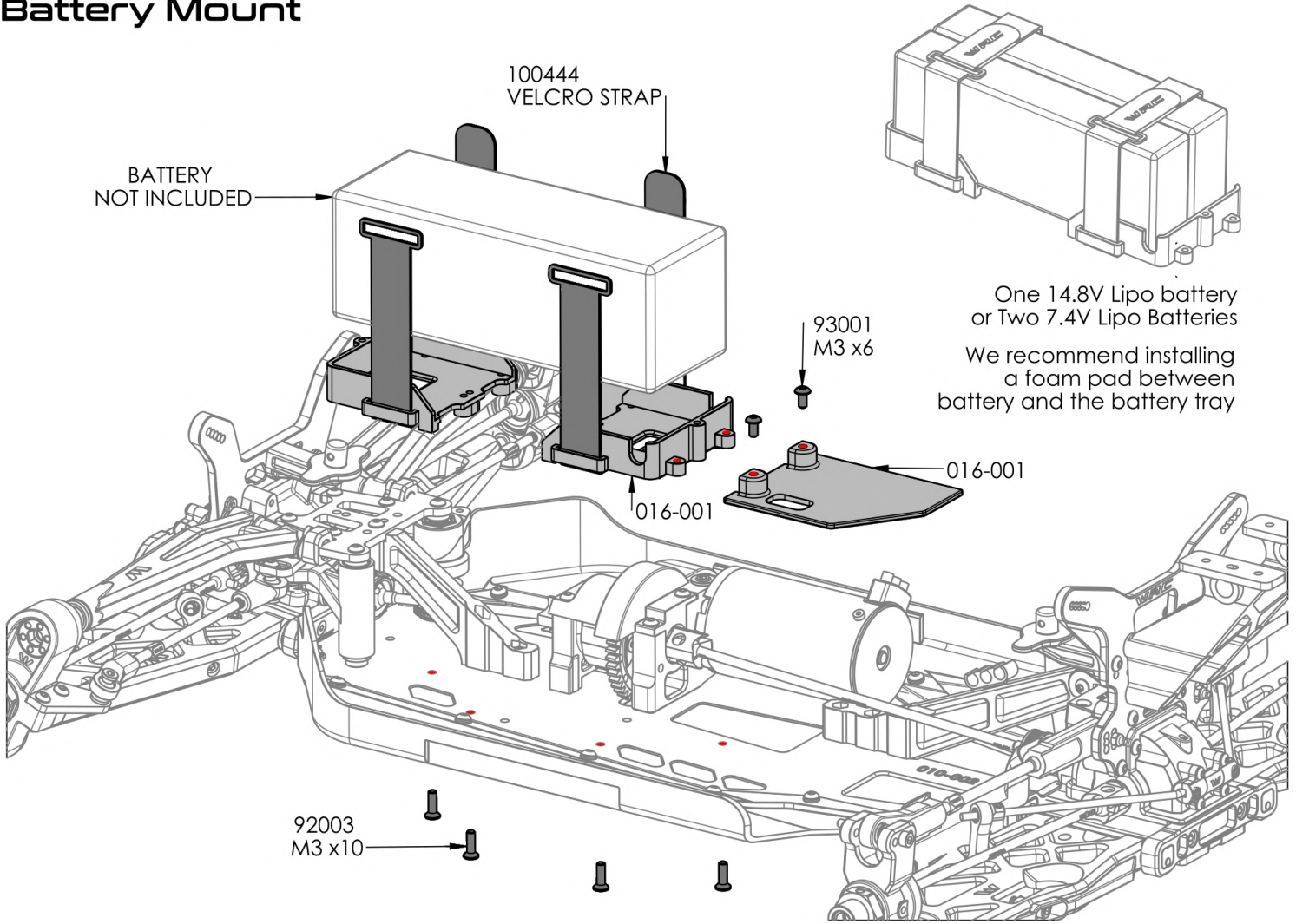


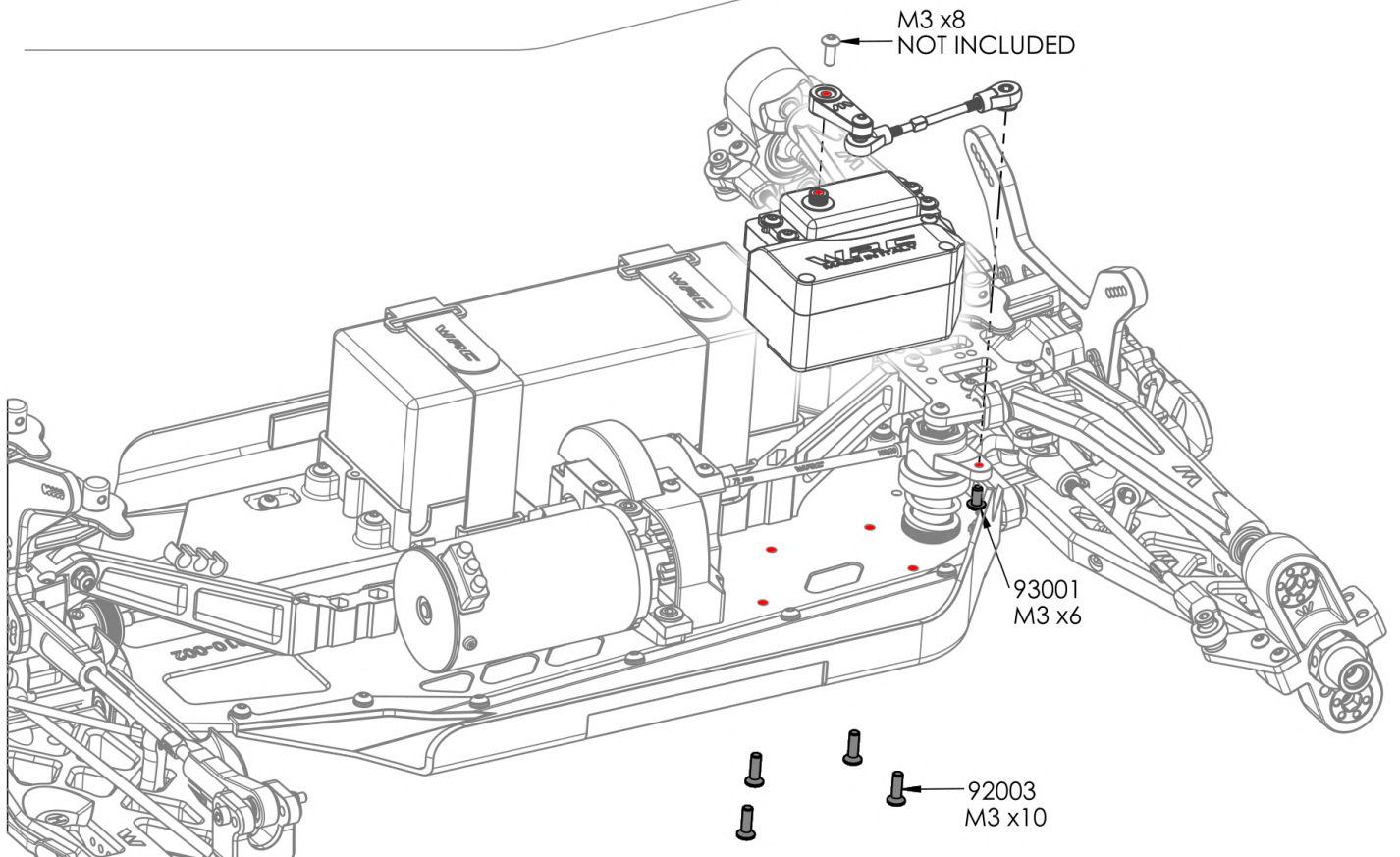
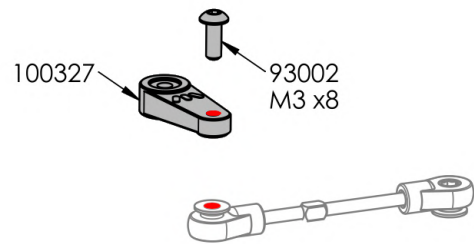
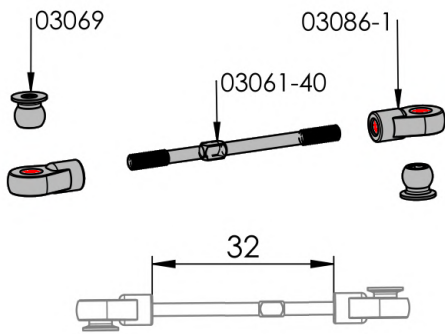
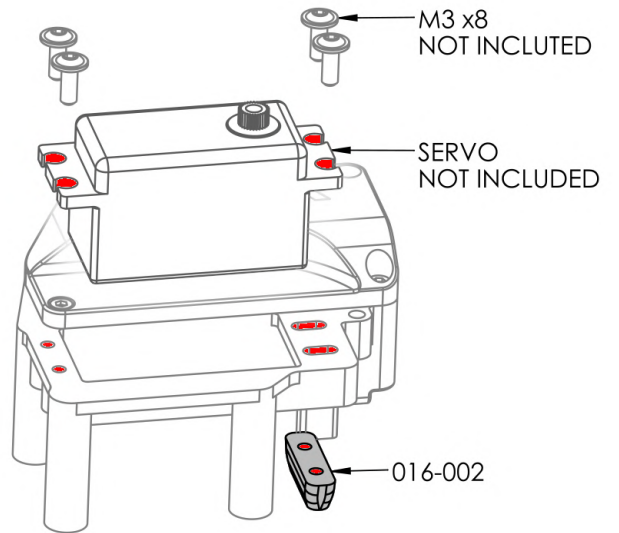
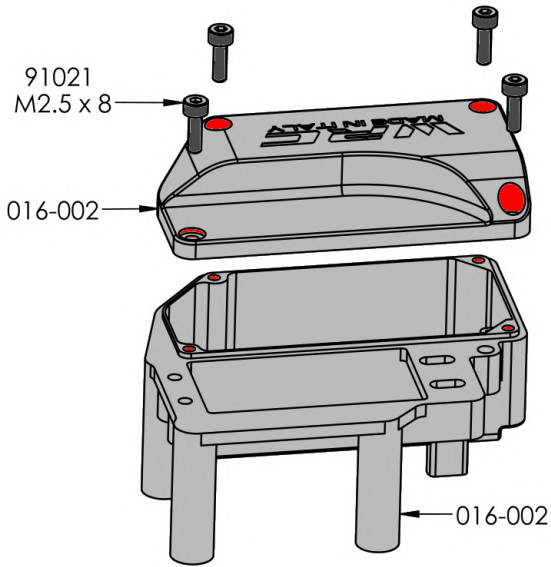
## Central transmission





### Battery Mount

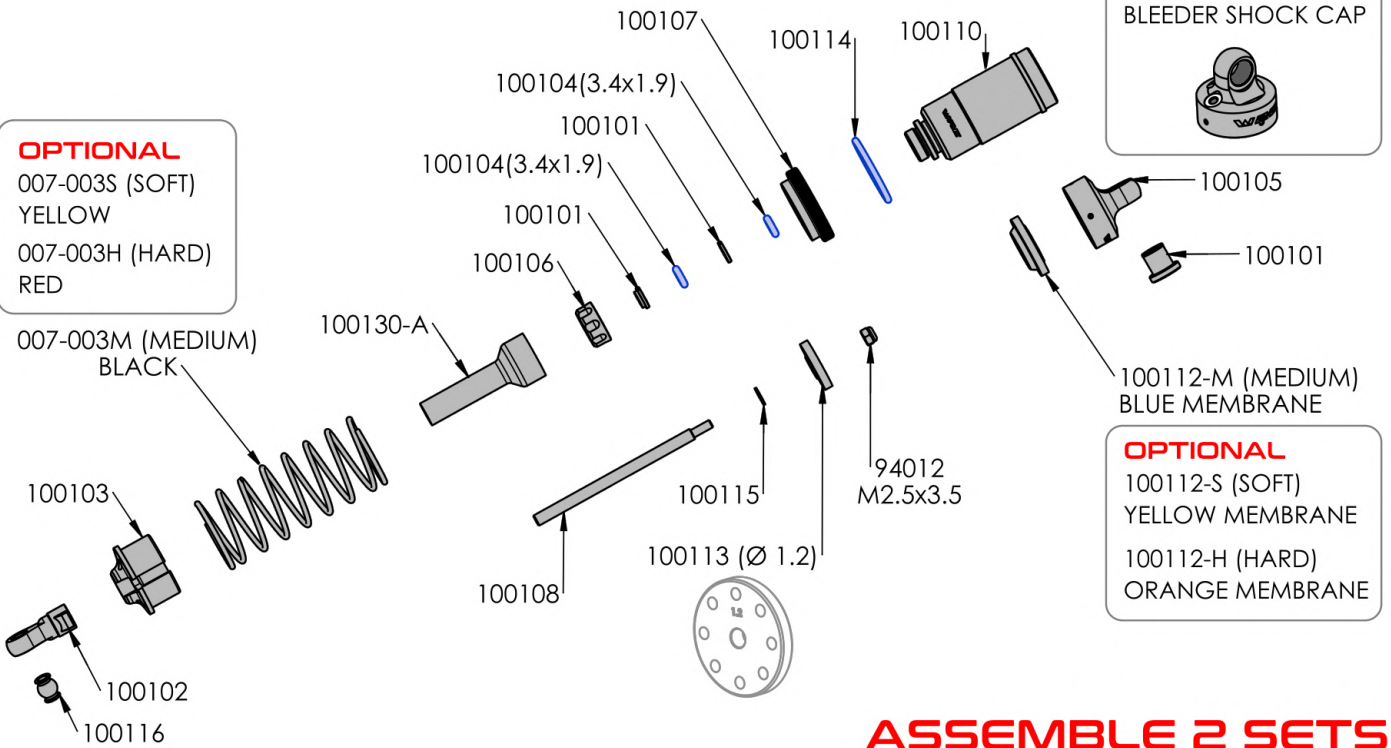





### Front Shock

**OPTIONAL**  
007-003S (SOFT)  
YELLOW  
007-003H (HARD)  
RED

007-003M (MEDIUM)  
BLACK

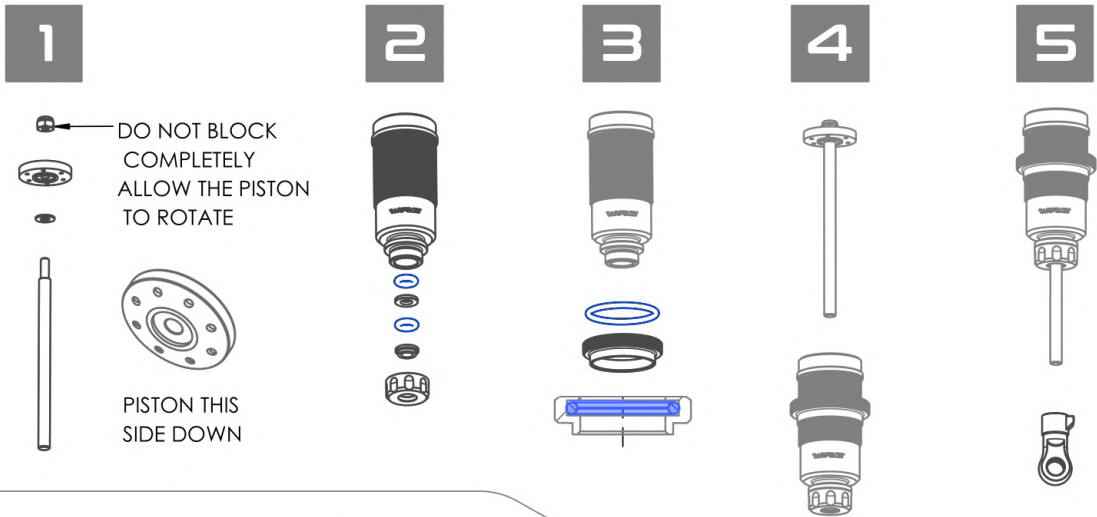


**OPTIONAL**  
100105-1  
BLEEDER SHOCK CAP



**OPTIONAL**  
100112-S (SOFT)  
YELLOW MEMBRANE  
100112-H (HARD)  
ORANGE MEMBRANE

## ASSEMBLE 2 SETS



**6**



### SHOCK FILLING

Fully extend the piston rod so the piston is at the bottom of the shock body.

Hold the shock upright and fill the shock body with shock oil as in the picture.

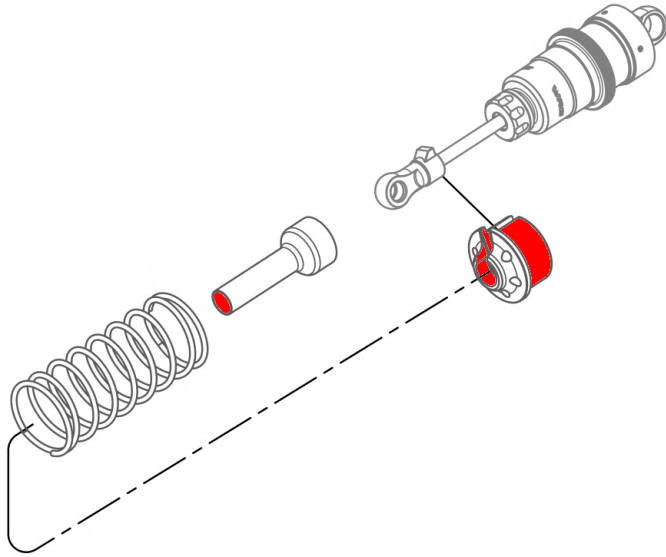
Let the oil settle and allow air bubbles to rise to the top. Slowly move the piston up and down until no more air bubbles appear. Add shock oil as necessary.

Pull the piston rod most of the way out of the shock bod. Let the shock rest for 5 minutes to allow the air bubbles to scape.

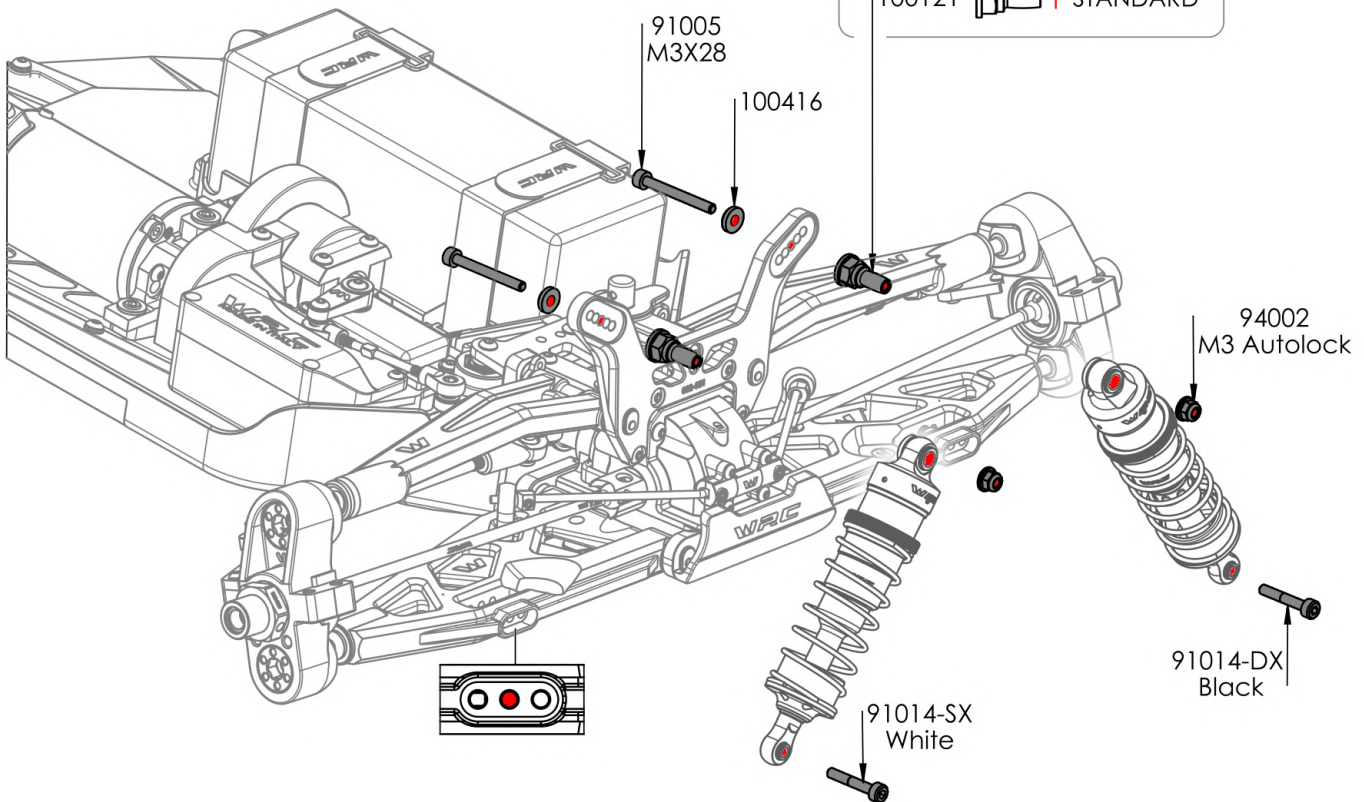
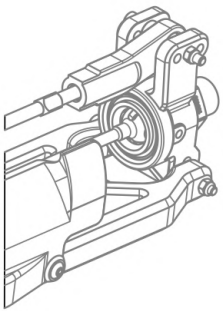
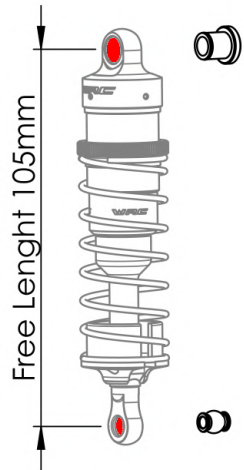
P- ONE SHOCKS OIL	
CODE	CST
SO-400	400
SO-500	500
SO-600	600 (IN KIT)
SO-700	700
SO-800	800

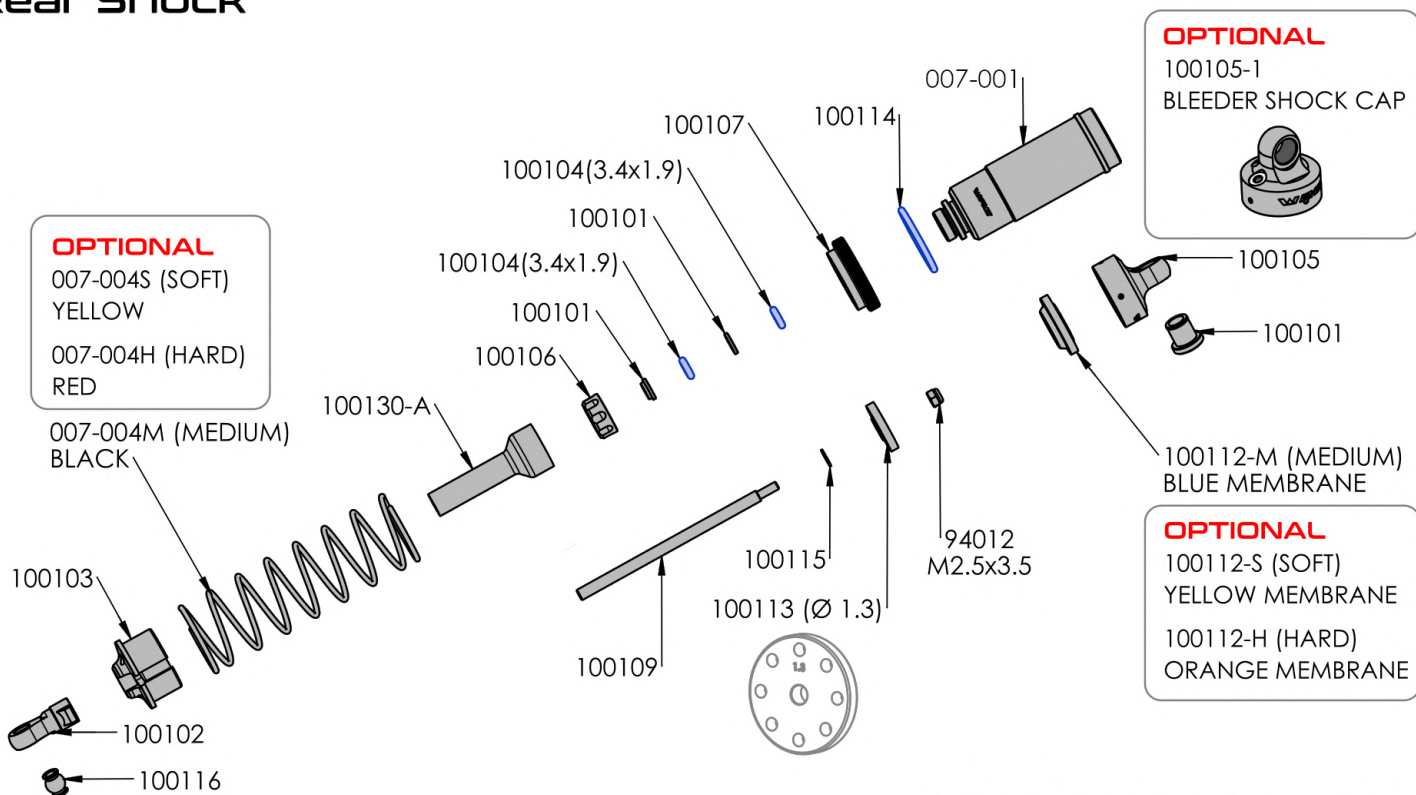
## Front Shock

7



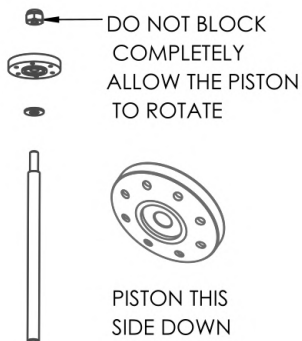
8





## ASSEMBLE 2 SETS

1



2



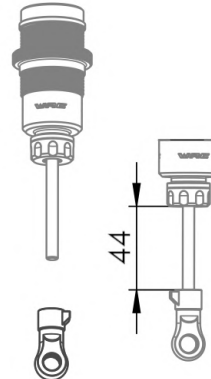
3



4



5



6



### SHOCK FILLING

Fully extend the piston rod so the piston is at the bottom of the shock body.

Hold the shock upright and fill the shock body with shock oil as in the picture.

Let the oil settle and allow air bubbles to rise to the top. Slowly move the piston up and down until no more air bubbles appear. Add shock oil as necessary.

Pull the piston rod most of the way out of the shock bod. Let the shock rest for 5 minutes to allow the air bubbles to scape.

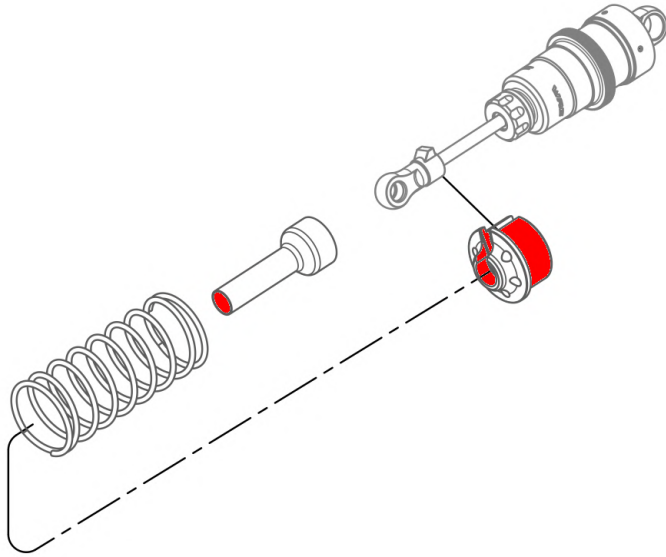
### P- ONE SHOCKS OIL

CODE	CST
SO-400	400
SO-500	500
SO-600	600 (IN KIT)
SO-700	700
SO-800	800



## Rear Shock

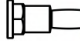
7




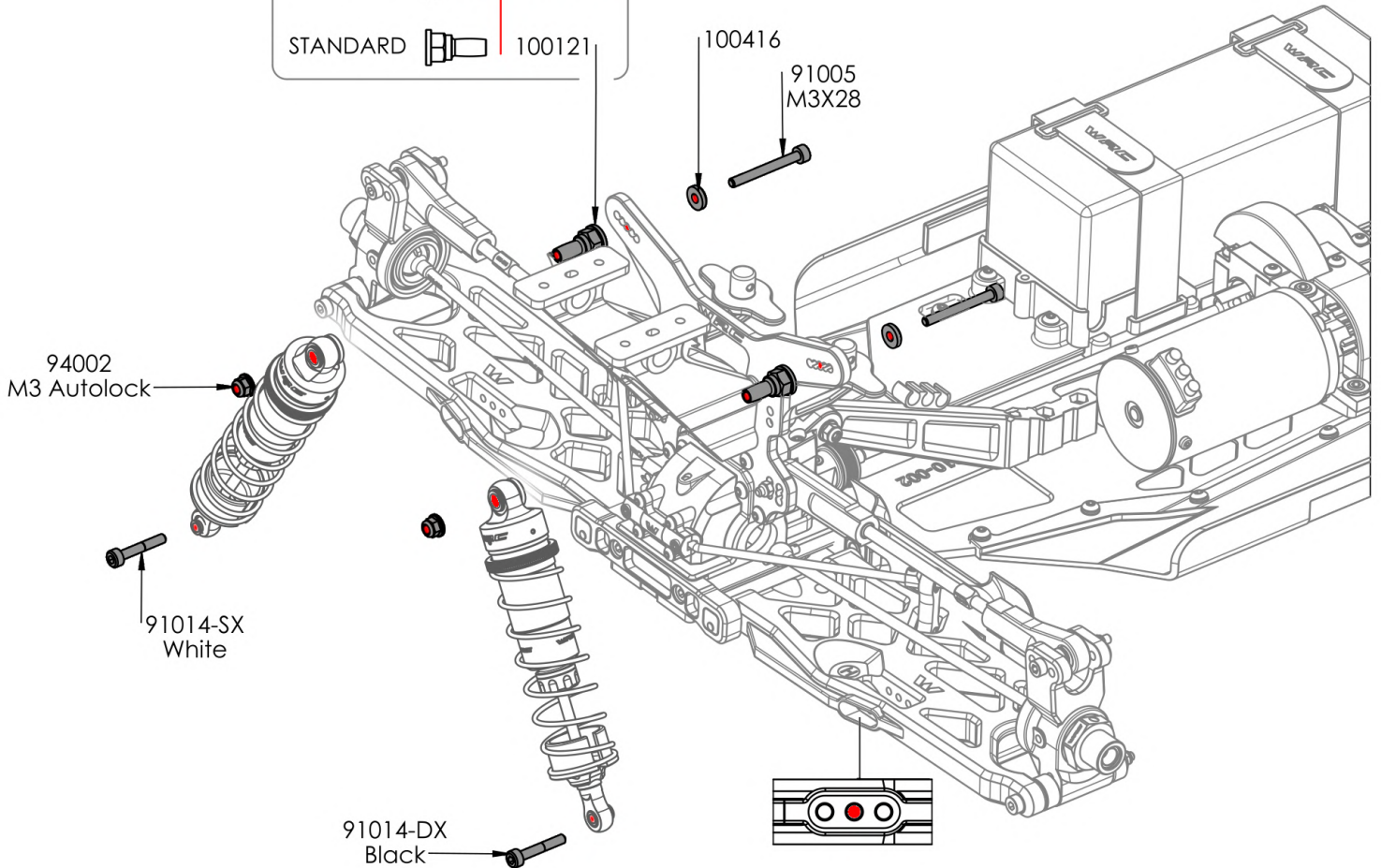
8



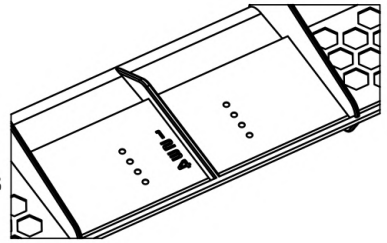
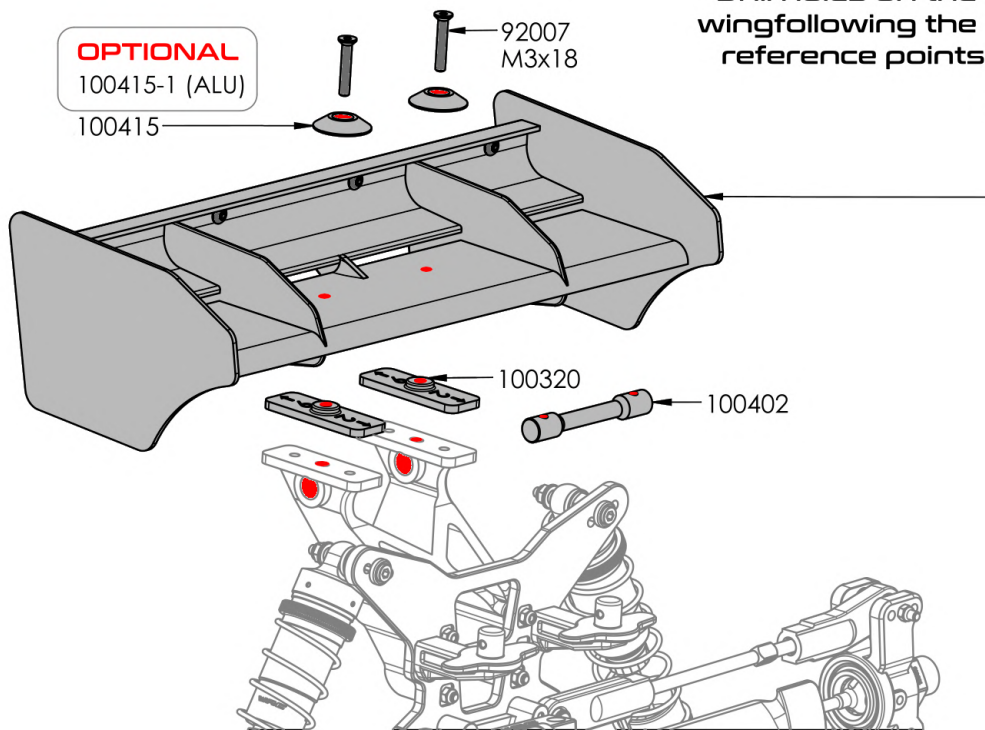
**OPTIONAL**

+5 mm  100121-1

STANDARD  100121



## Rear Wing



100321-W (White)

**OPTIONAL COLORS**

100321-B (Black)

100321-Y (Fluo Yellow)

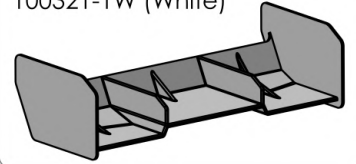
**OPTIONAL**

HIGH DOWNFORCE WING

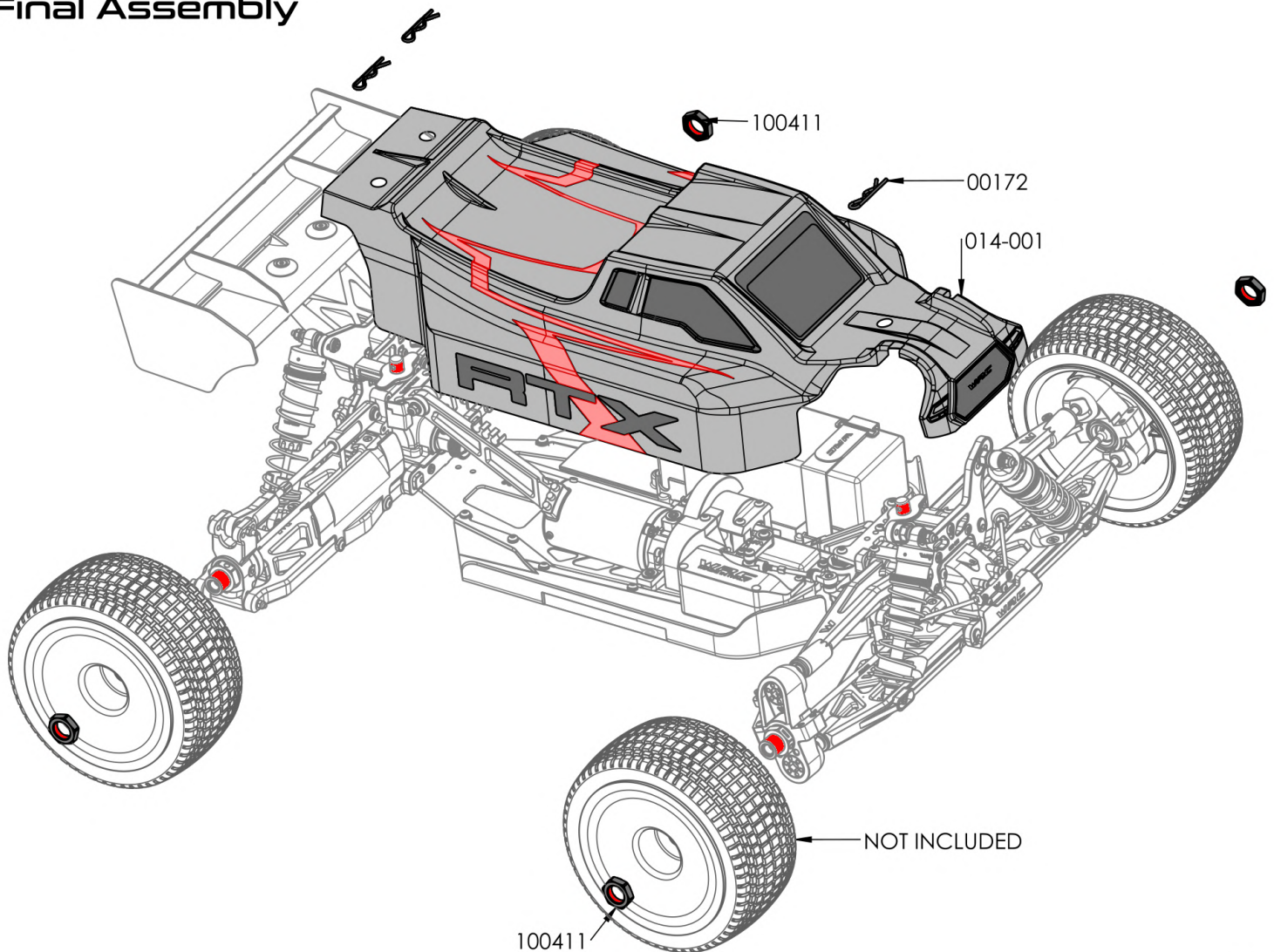
100321-1B (Black)

100321-1Y (Fluo Yellow)

100321-1W (White)



## Final Assembly



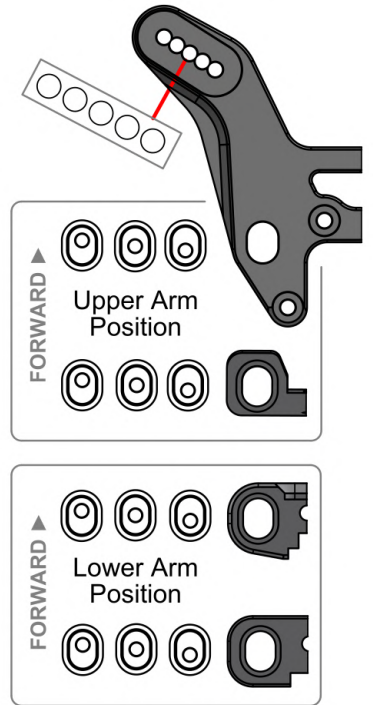
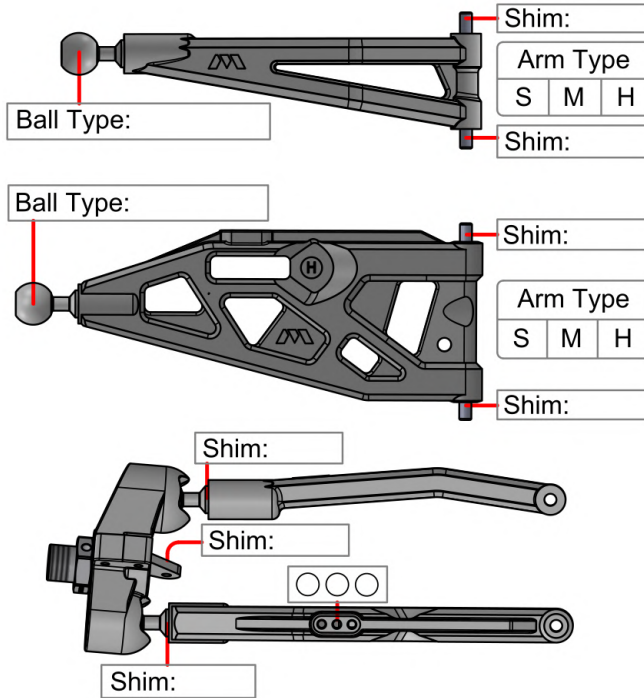
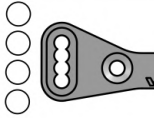
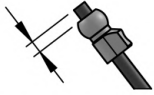
# ATXE

Driver: \_\_\_\_\_  
Date: \_\_\_\_\_

Track: \_\_\_\_\_  
Event: \_\_\_\_\_

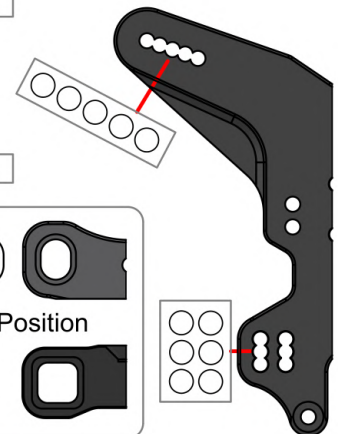
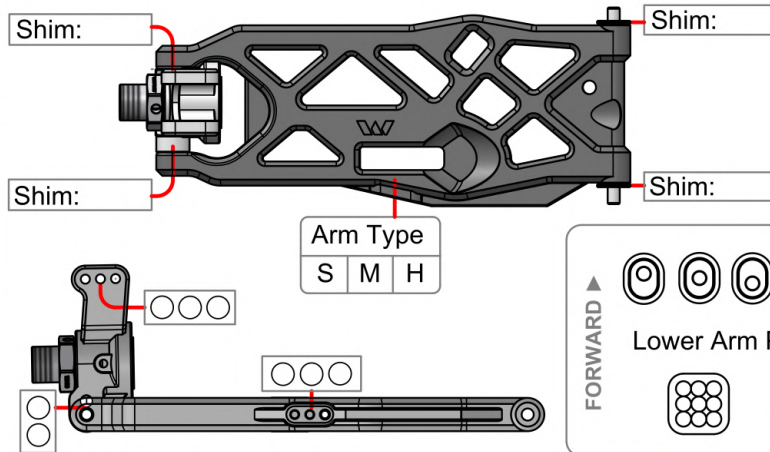
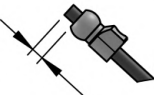
## FRONT

Ride Height:
Camber:
Toe:
Anti-Roll Bar
Size:
Gap:
Ackerman
Drive Shaft:
Chassie Brace:
Hex:



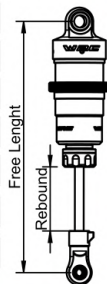
## REAR

Ride Height:
Camber:
Toe:
Anti-Roll Bar
Size:
Gap:
Drive Shaft:
Chassie Brace:
Hex:



## SHOCKS

	Front	Rear
Piston:		
Membrane:		
Oil:		
Spring:		
Rebound:		
Free Length:		



## DIFFERENTIAL

	Front	Center	Rear
Case Mat.:			
Oil:			
Crown Gear:			
Spur Gear:			
Pinion:			

## GEARING

## TYRES

	Front	Rear
Brand:		
Pattern:		
Insert:		
Wheels:		
Compound:		

## ELECTRONICS

Motor:		
Battery:		
Esc:		
Servo:		
Radio:		
% Throttle:	Brake:	Steering:
Epa:		
Expo:		

## BODY & WING

Body:	
Wing:	
Wing Height:	
Gap to tower:	
Size :	
Traction:	
Surface:	

## TRACK

## NOTES / OPTIONALS

\_\_\_\_\_

\_\_\_\_\_

\_\_\_\_\_

\_\_\_\_\_

\_\_\_\_\_

\_\_\_\_\_

\_\_\_\_\_

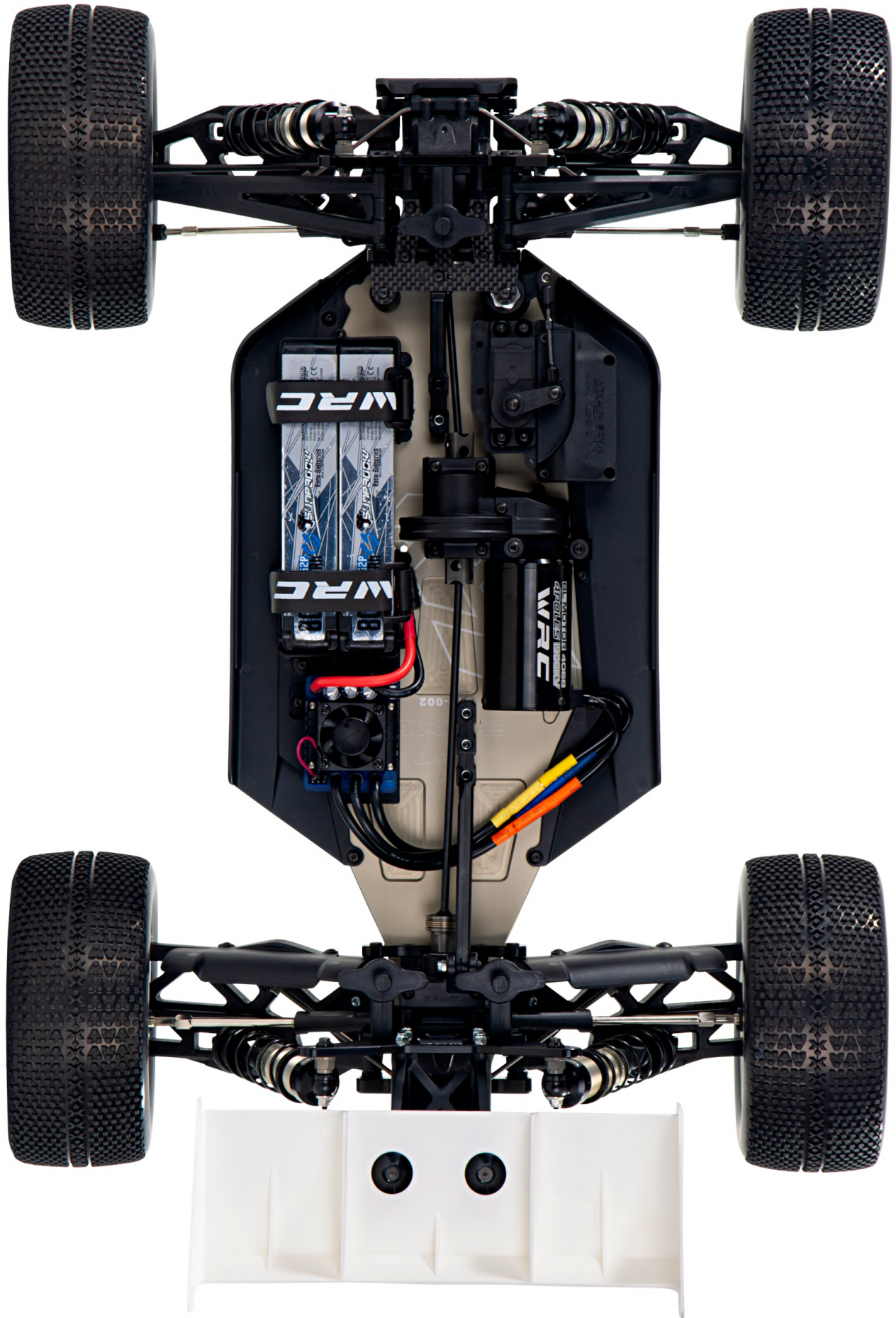
\_\_\_\_\_

\_\_\_\_\_

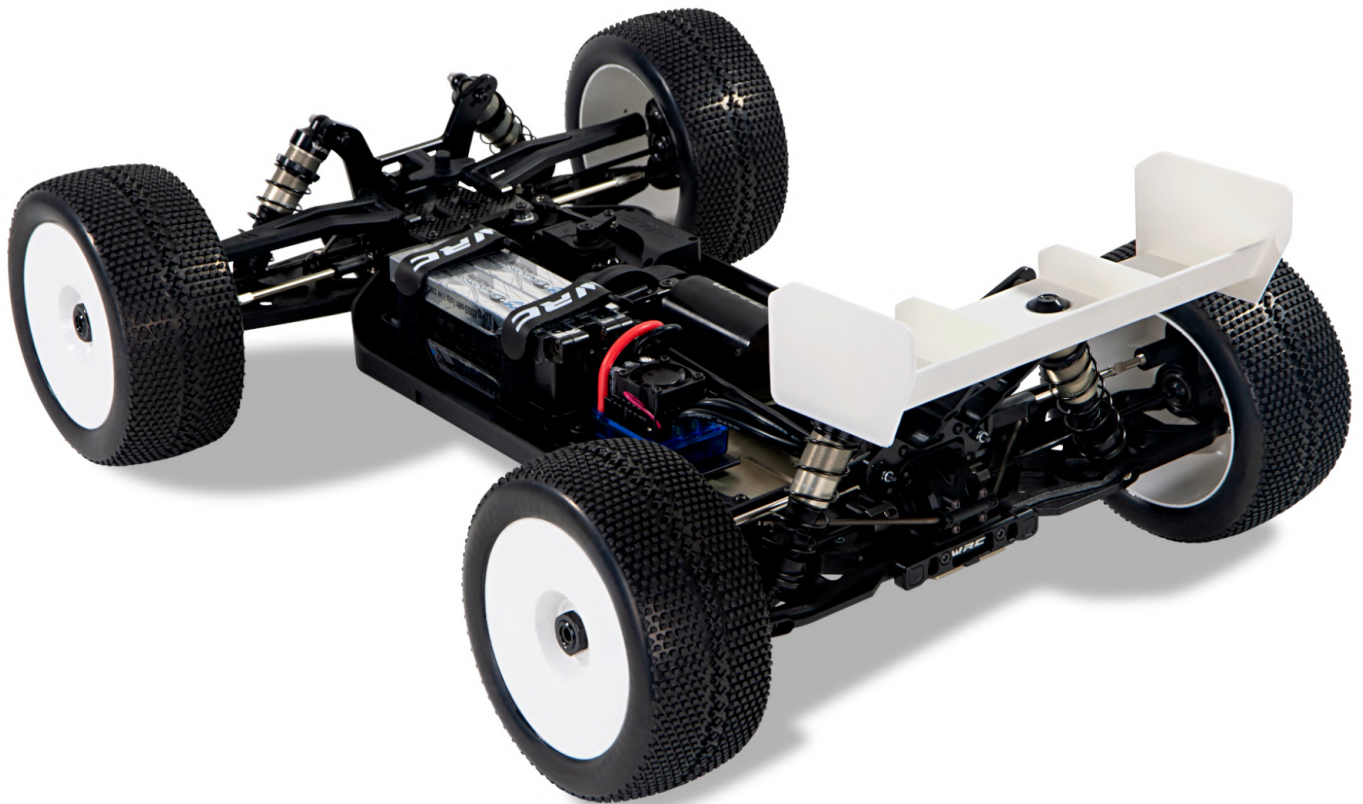
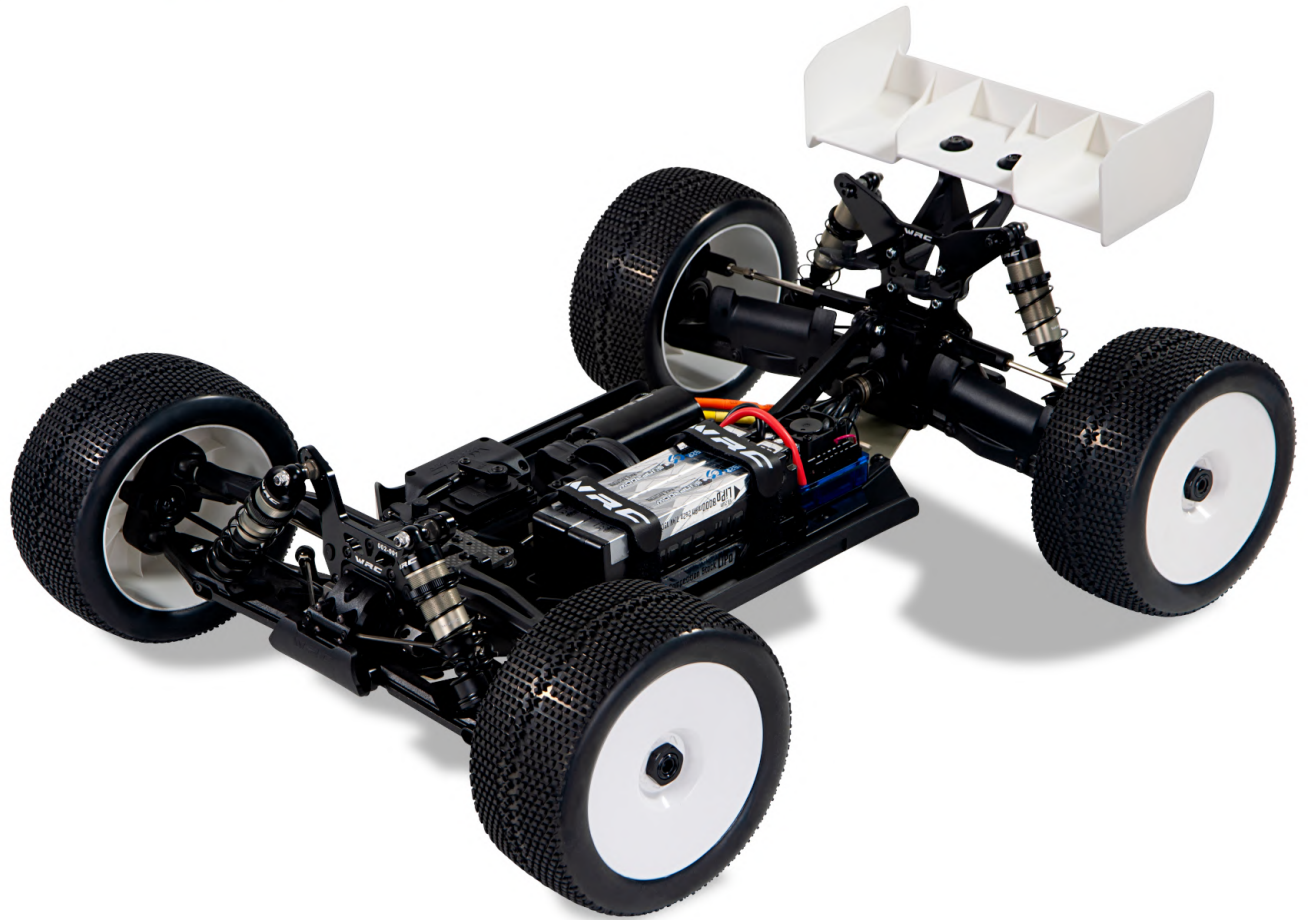
\_\_\_\_\_

Total Vehicle Weight: \_\_\_\_\_

# ATXE



# ATXE



**WIRC**  
*PROFESSIONAL RC CAR*

[WWW.WIRCRACING.COM](http://WWW.WIRCRACING.COM)