

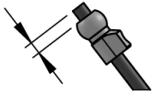
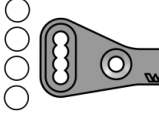
Driver: _____

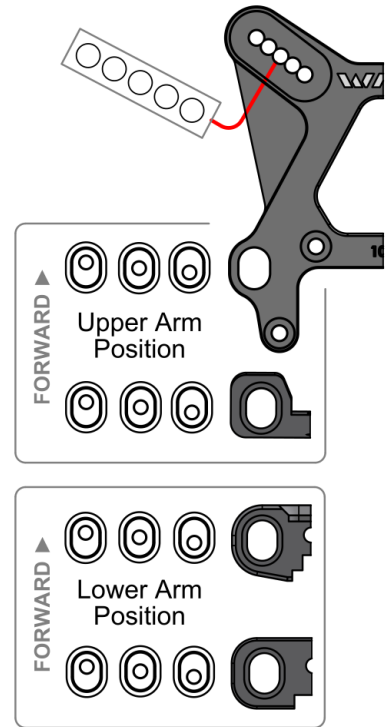
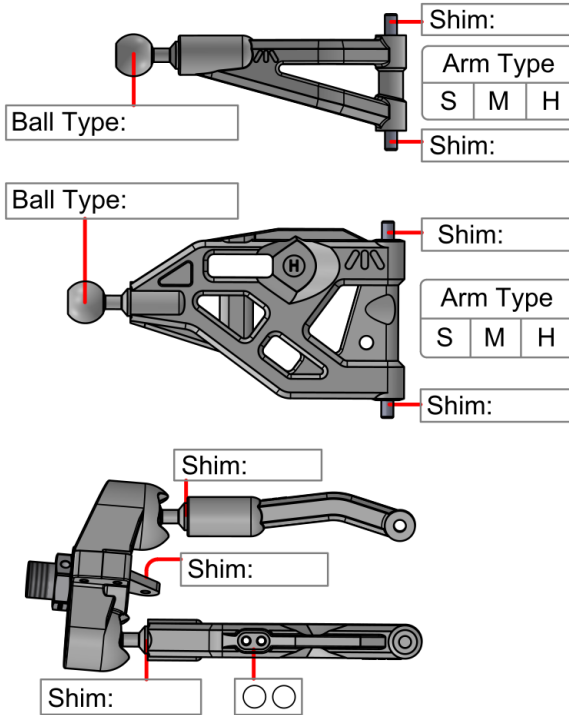
Track: _____

Date: _____

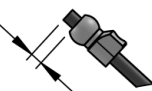
Event: _____

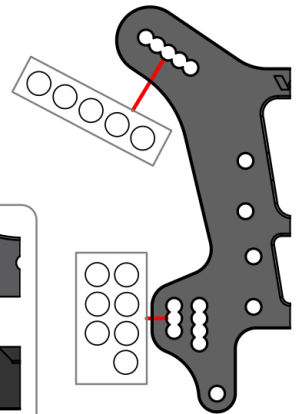
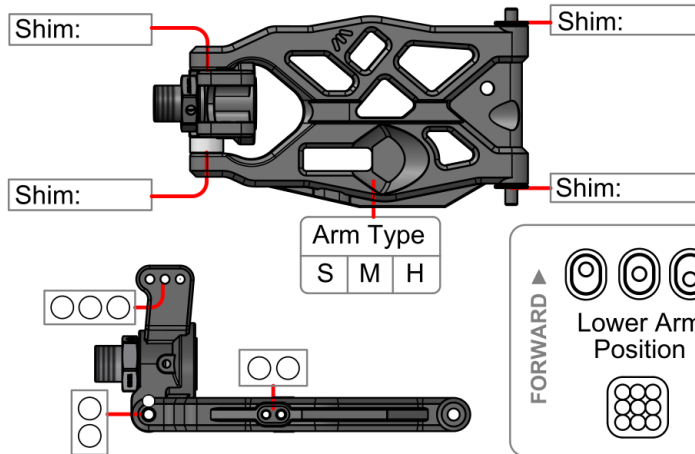
FRONT

Ride Height:	
Camber:	
Toe:	
Anti-Roll Bar	
Size:	
Gap:	
Ackerman	
Drive Shaft:	
Chassie Brace:	
Hex:	



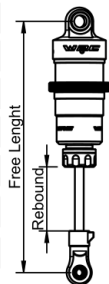
REAR

Ride Height:	
Camber:	
Toe:	
Anti-Roll Bar	
Size:	
Gap:	
Drive Shaft:	
Chassie Brace:	
Hex:	



SHOCKS

	Front	Rear
Piston:		
Membrane:		
Oil:		
Spring:		
Rebound:		
Free Length:		



DIFFERENTIAL

	Front	Center	Rear
Case Mat.:			
Oil:			
Crown Gear:			
Clutch Belt:		Spur Gear	
Shoe:		Spring	

GEARING

TYRES

	Front	Rear
Brand:		
Pattern:		
Insert:		
Wheels:		
Compound:		

ENGINE

Type:	
Muffler:	
Manifold:	
Plug:	

BODY & WING

Body:	
Wing:	
Wing Height:	
Gap to tower:	

NOTES / OPTIONALS

TRACK

Size :	
Traction:	
Surface:	

Total Vehicle Weight: _____